



SUB-ZERO DESIGN GUIDE

TABLE OF CONTENTS

3	BUILT-IN REFRIGERATION
40	PRO 48 REFRIGERATION
46	INTEGRATED REFRIGERATION
56	WINE STORAGE
86	UNDERCOUNTER REFRIGERATION
96	SUB-ZERO WARRANTIES



Features and specifications are subject to change at any time without notice. Visit subzero.com/specs for the most up-to-date information.

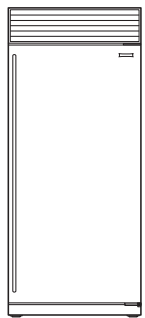
Throughout this guide, dimensions may vary by $\pm 1/8"$ (3). Dimensions in parentheses are millimeters unless otherwise specified.



Built-In Refrigeration

For the built-in line, Sub-Zero designers and engineers took a fresh look at everything, inside and out. Exterior refinements include redesigned grilles and lower-profile hinges. Inside, new technology in food preservation makes the built-in line nothing short of revolutionary.

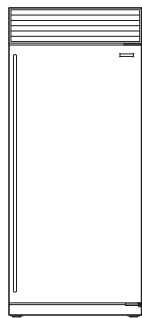
BUILT-IN MODELS



BI-36R



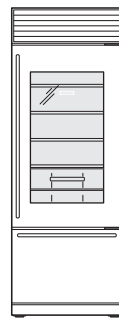
BI-36RG



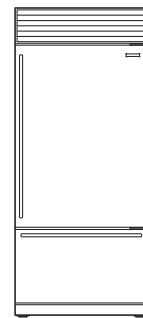
BI-36F



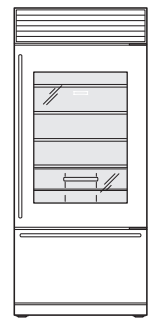
BI-30U



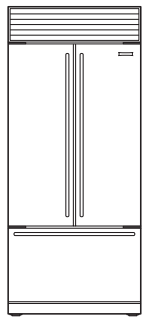
BI-30UG



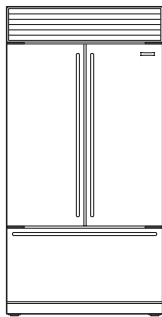
BI-36U(ID)



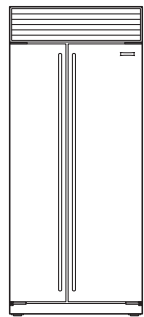
BI-36UG



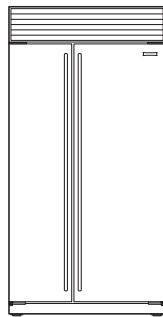
BI-36UFD(ID)



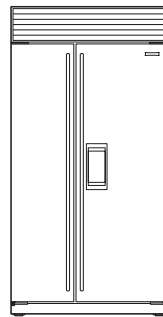
BI-42UFD(ID)



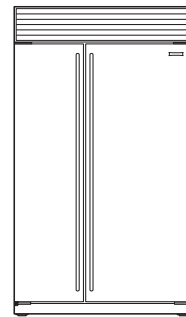
BI-36S



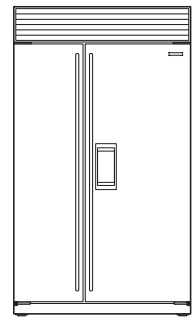
BI-42S(ID)



BI-42SD



BI-48S(ID)



BI-48S

Specifications

INTERIOR CAPACITY – CU FT (L)

ALL REFRIGERATOR ALL FREEZER	REFR	FRZR
BI-36R	23.5 (665)	
BI-36RG	23.4 (663)	
BI-36F		22.7 (643)
OVER-AND-UNDER	REFR	FRZR
BI-30U	13.2 (374)	4.2 (119)
BI-30UG	13.1 (371)	4.2 (119)
BI-36U(ID)	16.4 (464)	5.3 (150)
BI-36UG	16.3 (462)	5.3 (150)
BI-36UFD(ID)	15.7 (445)	5.3 (150)
BI-42UFD(ID)	18.3 (518)	6.4 (181)
SIDE-BY-SIDE	REFR	FRZR
BI-36S	12.4 (351)	8.2 (232)
BI-42S	16.3 (462)	8.0 (227)
BI-42SID	15.8 (447)	7.9 (224)
BI-42SD	16.0 (453)	7.9 (224)
BI-48S	19.1 (541)	9.8 (278)
BI-48SID	18.6 (527)	9.6 (272)
BI-48SD	18.8 (532)	9.6 (272)

Built-In Design Options

FRAMED

For the classic Sub-Zero look, choose framed custom door panels that contrast with the stainless steel full-length handles and louvered grille (shown). The framed application is an overlay model with framed design features. Panel, grille and handle options are available.

Panels | Custom panels, stainless steel or white enamel.

Grille | Classic louvered grille insert or solid custom panel for 84" (standard), 83" or 88" overall unit height. Dual wide grille for dual installations.

Handles | Full-length standard or extended.

OVERLAY

Custom overlay door panels can be combined with unique handle hardware for design flexibility. Shown with pro handle option to complement Wolf ranges. Customize with panel, grille and handle options.

Panels | Custom panels or stainless steel.

Grille | Solid custom panel or pro louvered grille for 84" (standard), 83" or 88" overall unit height. Dual wide grille for dual installations.

Handles | Custom, tubular or pro handles.



Framed.



Overlay.

Built-In Design Options

FLUSH INSET

The flush inset design option allows for flush door and grille panels and custom handle hardware. Shown with tubular handle option to match Wolf built-in ovens. The flush inset application is an overlay model with flush inset panels. Customize with panel, grille and handle options.

Panels | Custom panels or stainless steel.

Grille | Solid custom panel or pro louvered grille for 84" (standard), 83" or 88" overall unit height. Dual wide grille for dual installations.

Handles | Custom, tubular or pro handles.

STAINLESS STEEL

For a professional look, classic stainless steel models require no customization. To complement the look of Wolf ranges, choose the pro handle option (shown). Grille and handle options are available.

Grille | Pro louvered grille for 84" (standard), 83" or 88" overall unit height. Dual wide grille for dual installations.

Handles | Tubular or pro handles.



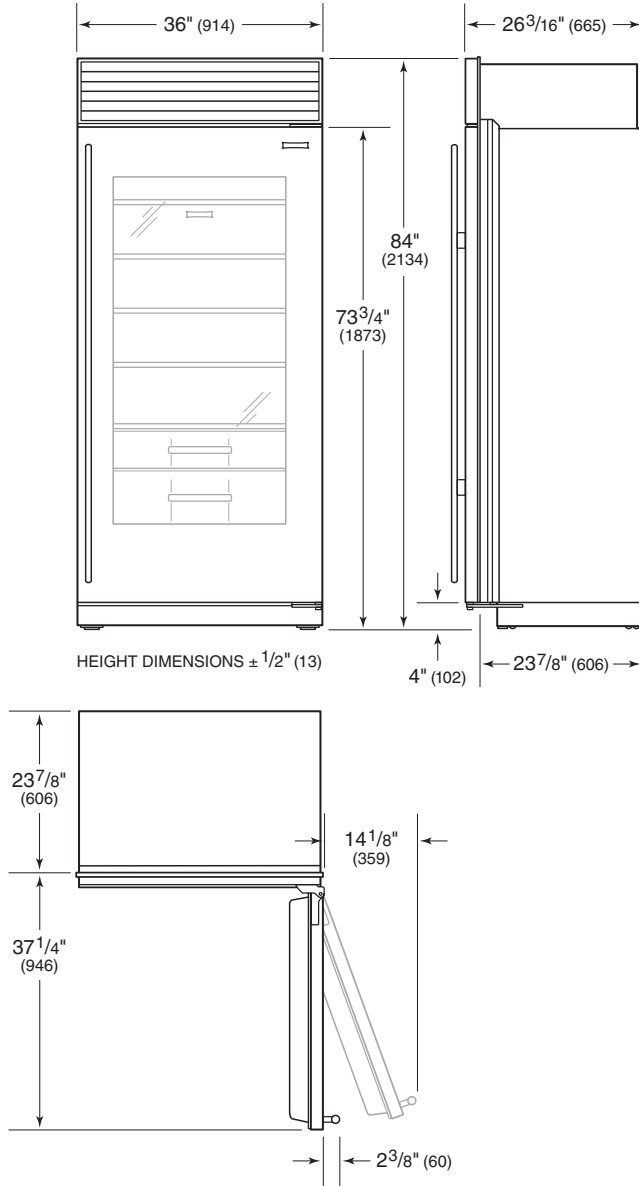
Flush inset.



Stainless steel.

Overall Dimensions

ALL REFRIGERATOR | ALL FREEZER

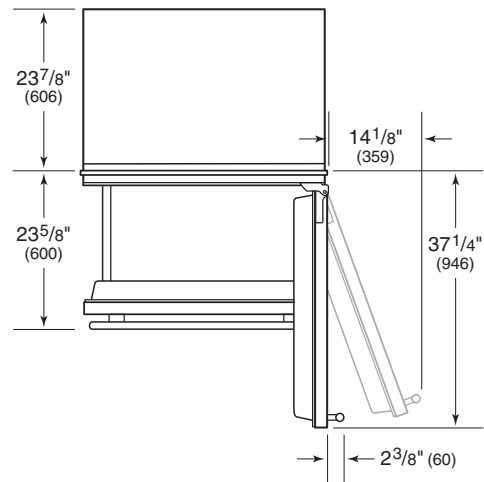
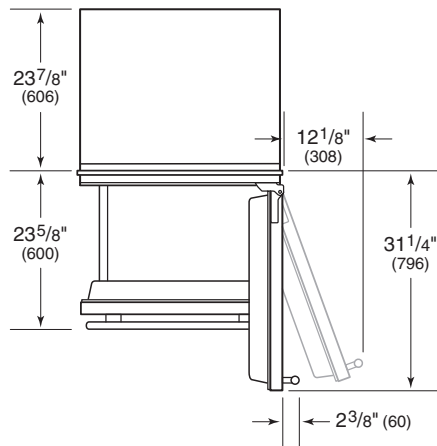
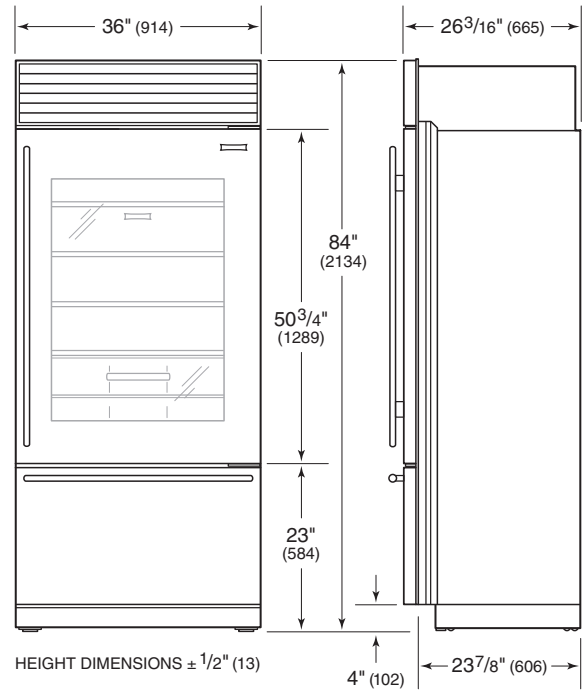
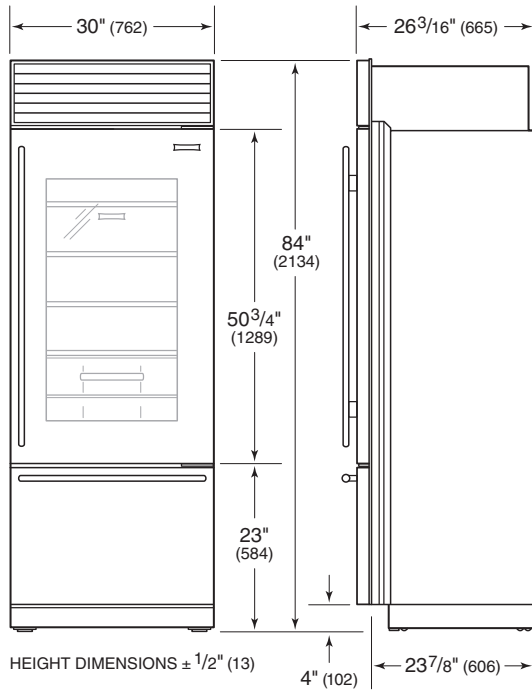


Overall dimensions are based on stainless steel models. For flush inset applications, add 1/2" (13) to door clearance dimensions.

Model BI-36R, BI-36RG, BI-36F.

Overall Dimensions

OVER-AND-UNDER

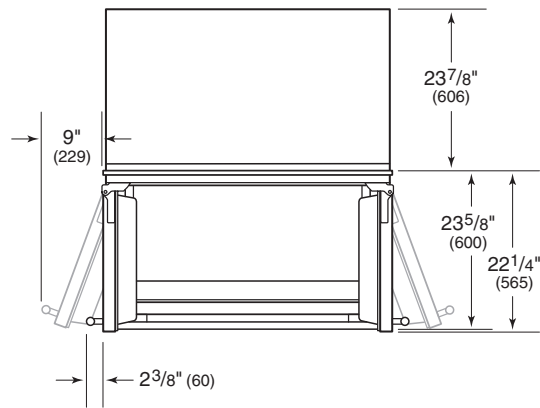
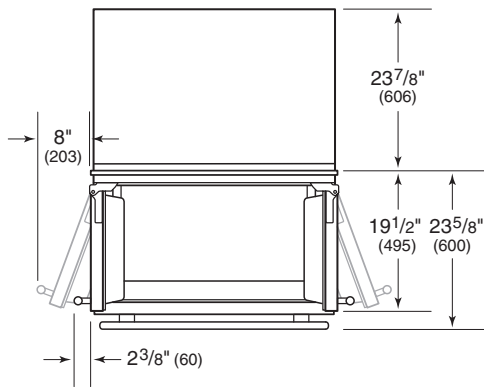
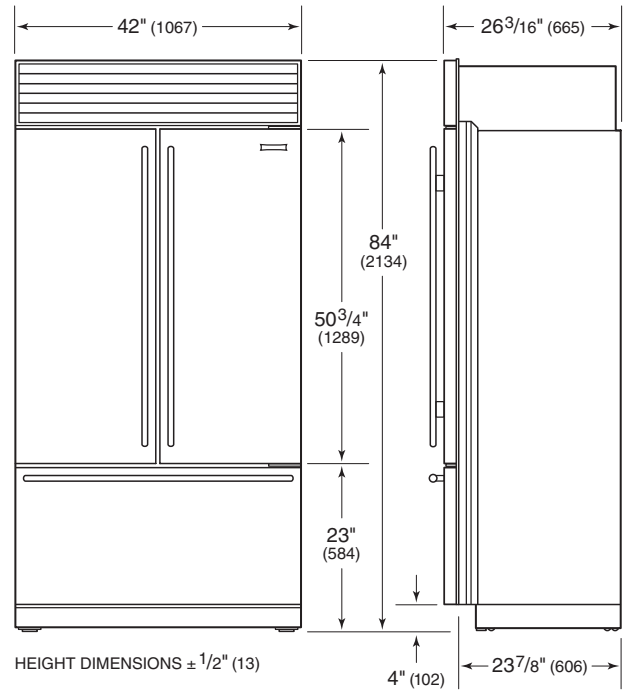
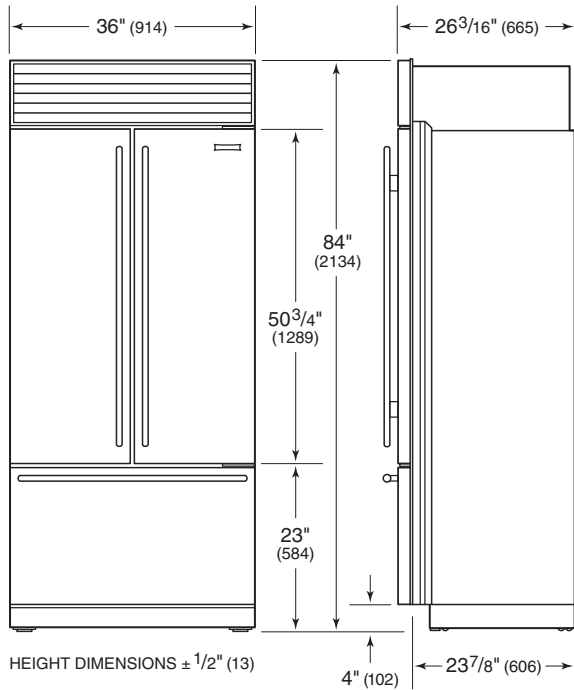


Model BI-30U, BI-30UG.

Model BI-36U(ID), BI-36UG.

Overall Dimensions

OVER-AND-UNDER

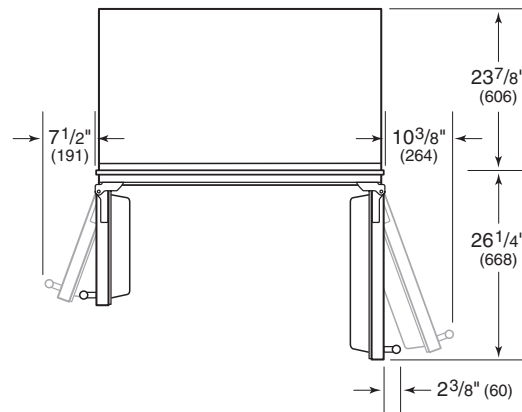
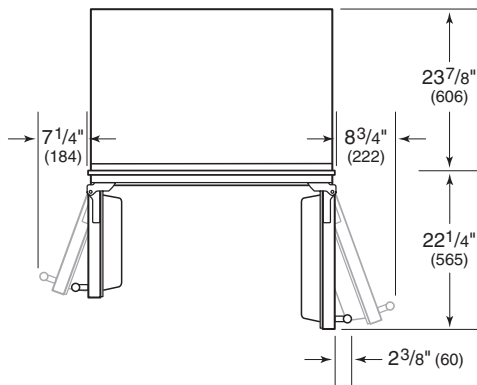
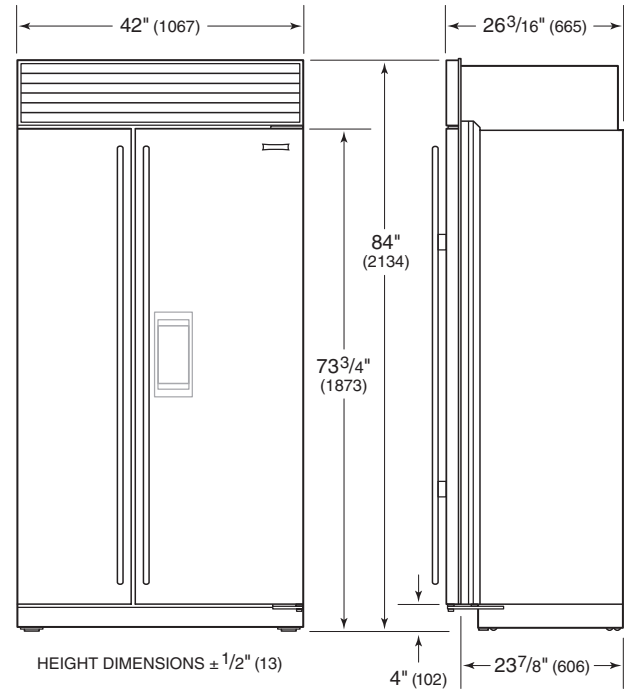
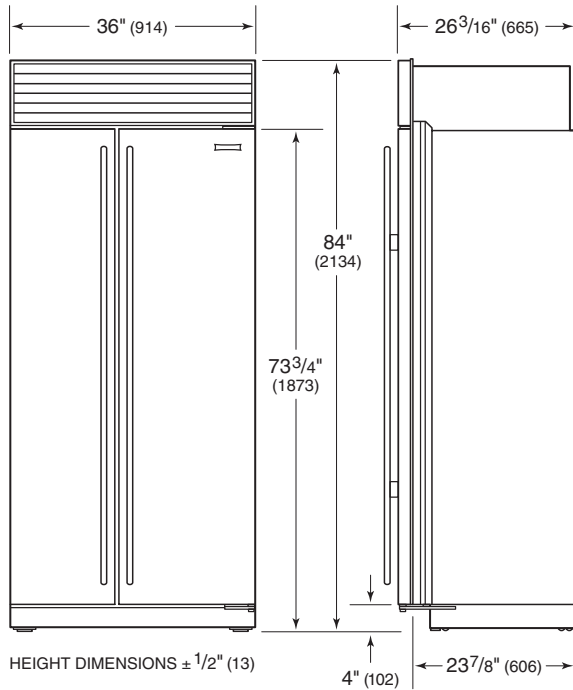


Model BI-36UFD(ID).

Model BI-42UFD(ID).

Overall Dimensions

SIDE-BY-SIDE

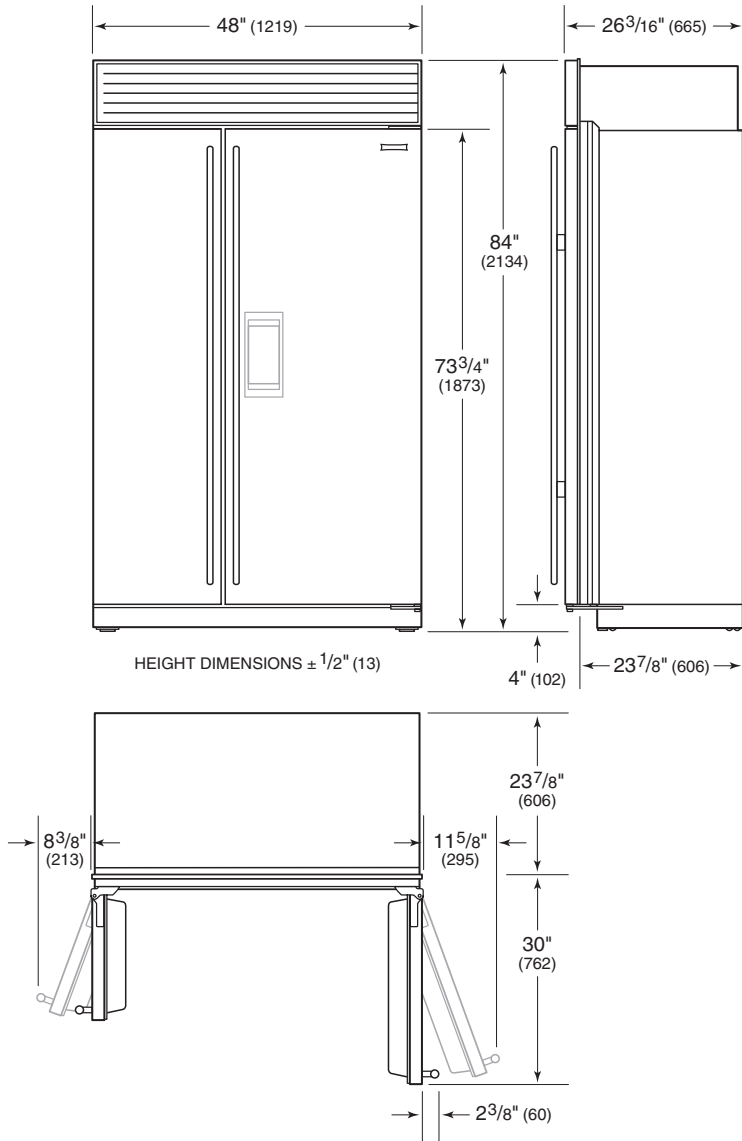


Model BI-36S.

Model BI-42S(ID), BI-42SD.

Overall Dimensions

SIDE-BY-SIDE



Model BI-48S(ID), BI-48SD.

BUILT-IN

PRO 48

INTEGRATED

WINE

UNDERCOUNTER

Specifications

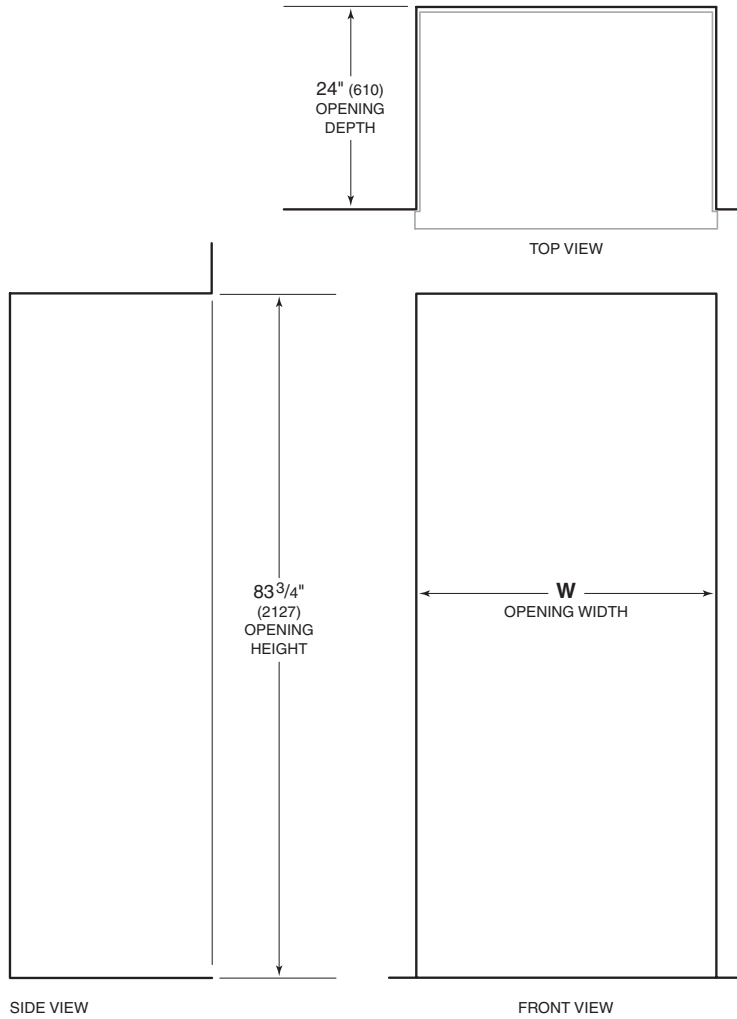
SHIPPING WEIGHT

ALL REFRIGERATOR ALL FREEZER	LB (KG)
BI-36R	420 (191)
BI-36RG	430 (195)
BI-36F	406 (184)
OVER-AND-UNDER	LB (KG)
BI-30U	462 (210)
BI-30UG	476 (216)
BI-36U(ID)	515 (234)
BI-36UG	529 (240)
BI-36UFD(ID)	529 (240)
BI-42UFD(ID)	582 (264)
SIDE-BY-SIDE	LB (KG)
BI-36S	538 (244)
BI-42S	582 (264)
BI-42SID	608 (276)
BI-42SD	608 (276)
BI-48S	630 (286)
BI-48SID	656 (298)
BI-48SD	656 (298)

Shipping weights are based on stainless steel models.

Opening Dimensions

STANDARD INSTALLATION



NOTE: Shaded line represents profile of unit.

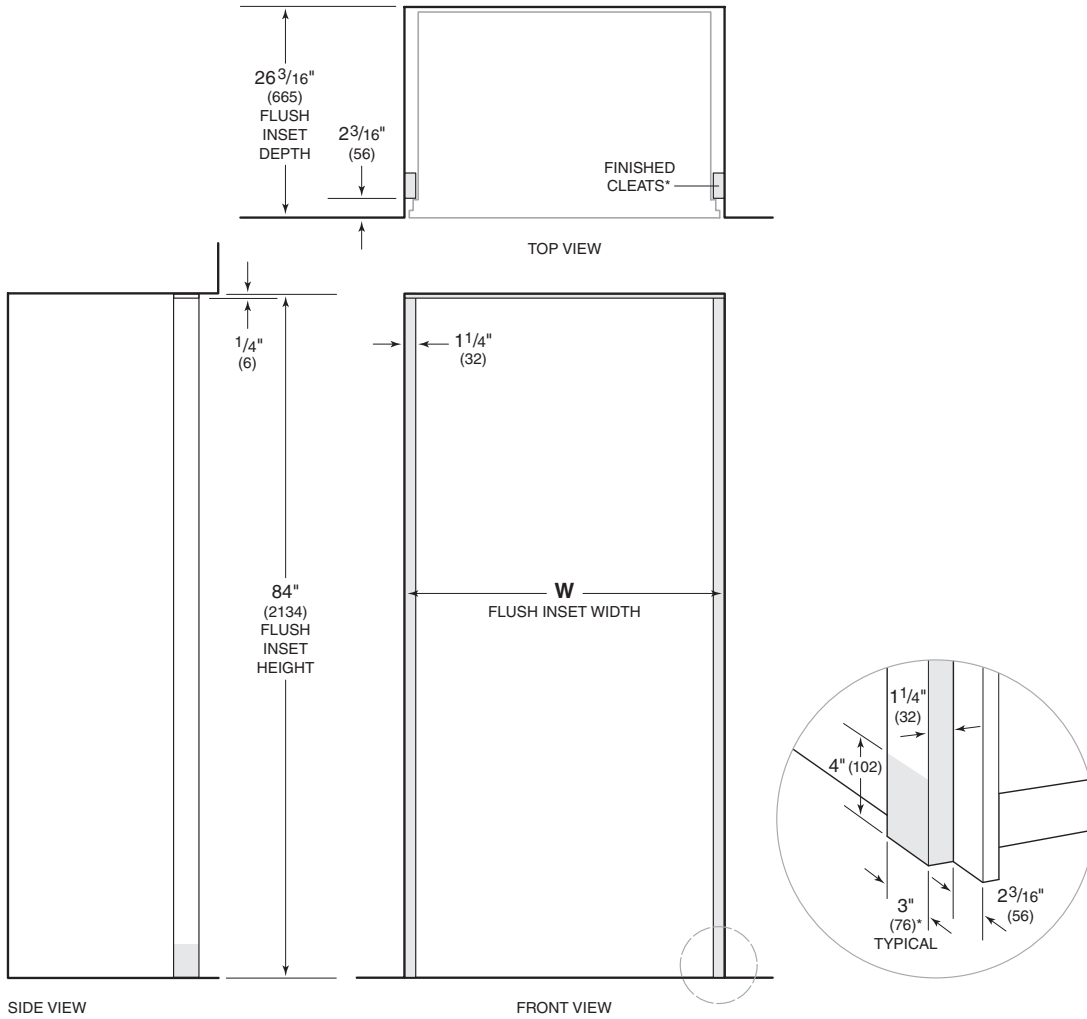
OPENING WIDTH	W
30" Model	29 1/2" (749)
36" Model	35 1/2" (902)
42" Model	41 1/2" (1054)
48" Model	47 1/2" (1206)

If an 83" (2108) grille height is specified, the opening height must be decreased by 7/8" (22). If an 88" (2235) grille height is specified, the opening height must be increased by 4" (102).

If two units are installed side by side, refer to page 16 for dual standard installations.

Opening Dimensions

FLUSH INSET INSTALLATION



*3" (76) typical depth. Shaded areas will be visible and should be finished to match cabinetry.
 NOTE: Shaded line represents profile of unit with $\frac{3}{4}$ " (19) panel.

FLUSH INSET WIDTH	W
30" Model	32" (813)
36" Model	38" (965)
42" Model	44" (1118)
48" Model	50" (1270)

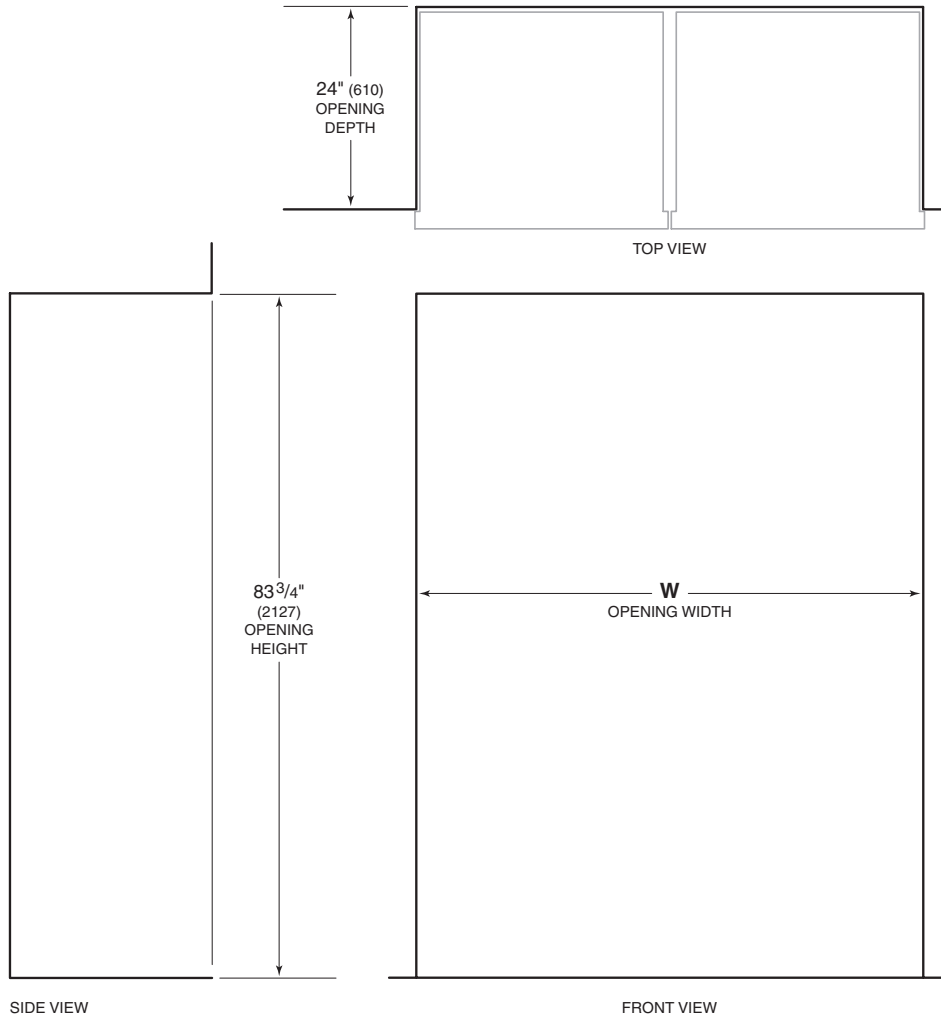
Dimensions assume a $\frac{3}{4}$ " (19) panel thickness.

If an 83" (2108) grille height is specified, the flush inset height must be decreased by $\frac{7}{8}$ " (22). If an 88" (2235) grille height is specified, the flush inset height must be increased by 4" (102).

If two units are installed side by side, refer to page 17 for dual flush inset installations.

Opening Dimensions

DUAL STANDARD INSTALLATION



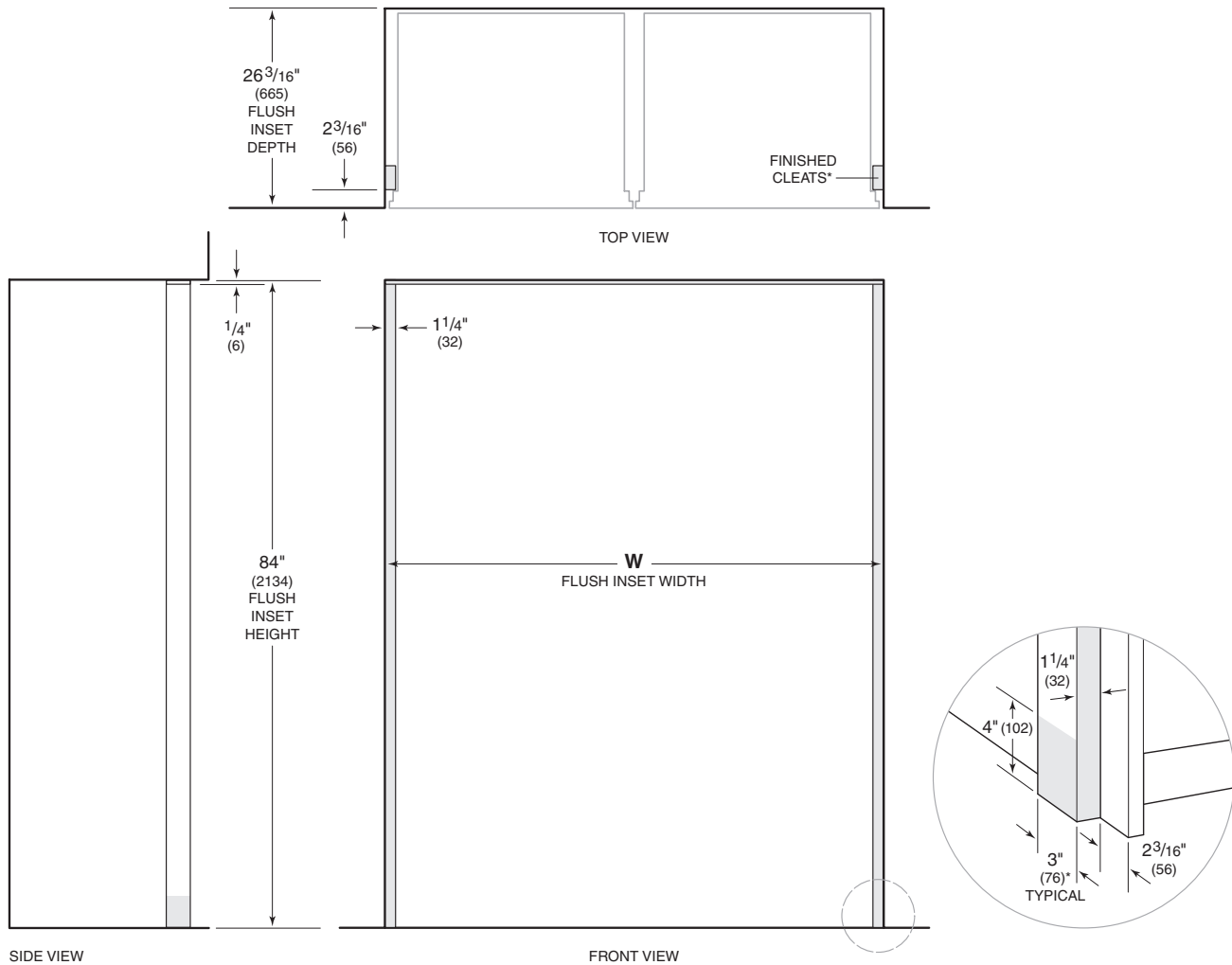
NOTE: Shaded line represents profile of unit.

DUAL OPENING WIDTH	W
Two 30" Models	59 3/4" (1518)
30" and 36" Models	65 3/4" (1670)
Two 36" Models	71 3/4" (1822)

A dual installation kit will be required for this installation.

Opening Dimensions

DUAL FLUSH INSET INSTALLATION



*3" (76) typical depth. Shaded areas will be visible and should be finished to match cabinetry.
 NOTE: Shaded line represents profile of unit with $\frac{3}{4}$ " (19) panel.

DUAL FLUSH INSET WIDTH	W
Two 30" Models	62 $\frac{1}{4}$ " (1581)
30" and 36" Models	68 $\frac{1}{4}$ " (1734)
Two 36" Models	74 $\frac{1}{4}$ " (1886)

Dimensions assume a $\frac{3}{4}$ " (19) panel thickness. A dual installation kit will be required for this installation.

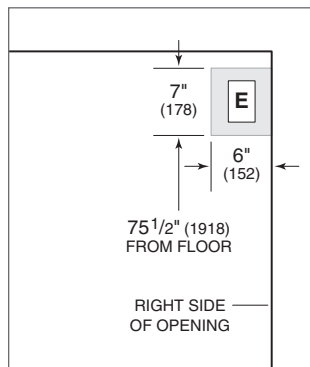
Electrical

The electrical supply should be located within the shaded area shown in the illustration below. A separate circuit, servicing only this appliance is required. A ground fault circuit interrupter (GFCI) is not recommended and may cause interruption of operation.

Installation must comply with all applicable electrical codes.

ELECTRICAL REQUIREMENTS

Electrical Supply	115 VAC, 60 Hz
Service	15 amp
Receptacle	3-prong grounding-type



Electrical supply location.

Plumbing

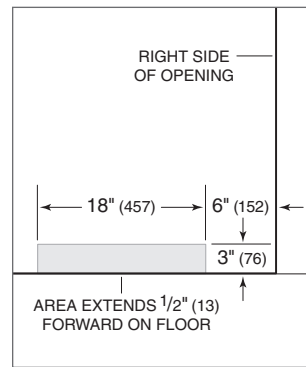
The water supply line should be located within the shaded area shown in the illustration below. The water supply line should be connected to the house supply with an easily accessible shut-off valve. Do not use self-piercing valves. The water supply line must not interfere with installation of the anti-tip brackets.

A reverse osmosis system can be used provided there is constant water pressure of 35–120 psi (2.4–8.3 bar) supplied to the unit at all times. A copper line is not recommended for this application.

Installation must comply with all applicable plumbing codes.

PLUMBING REQUIREMENTS

Water Supply	1/4" OD copper, braided stainless steel or PEX tubing
Pressure	35–120 psi (2.4–8.3 bar)
Excess Line for Connection	36" (914)



Water supply location.

Custom Panels

For framed, overlay and flush inset applications, custom door panels must be provided. Handle hardware must also be provided for overlay and flush inset applications. Refer to panel requirements below and the charts on pages 22–27 for custom panel dimensions for your specific design application.

IMPORTANT NOTE: Do not cover a glass door with a solid panel.

Finish all sides of the custom panels. They may be visible when the door is open or through the window of glass door models.

PANEL REQUIREMENTS

WEIGHT PER PANEL	MAX
BI-36R, BI-36RG, BI-36F	75 lb (34 kg)
All Other Models	50 lb (23 kg)
Grille Panel	13 lb (6 kg)
PANEL THICKNESS	MIN
Framed	1/4" (6)
Overlay and Flush Inset	5/8" (16)

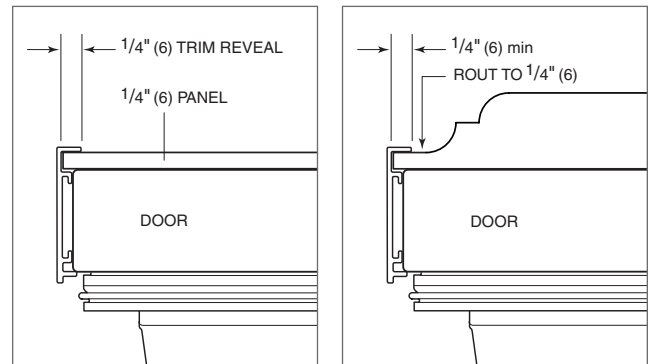
FRAMED PANELS

The framed application is an overlay model with framed design features. It is not a separate model.

If the custom panel is thinner than 1/4" (6), a filler material must be added to achieve a proper fit. If the panel is thicker than 1/4" (6), rout an edge around the panel or mount the custom panel on a sheet of 1/4" (6) thick material and insert into the channel. Refer to the illustrations below.

Routing, recessing or optional extended handles may be required for finger clearance. Refer to the full-scale template on page 34.

When installing two units side by side, refer to page 16 for dual standard installations.



Panel 1/4" thick or less.

Panel thicker than 1/4".

Custom Panels

PARTIAL FRAMED OPTION

The partial framed kit includes a stainless steel panel for above and below the external dispenser. Refer to the chart below for panel width. The kit is available through an authorized Sub-Zero dealer. For local dealer information, visit the find a showroom section of our website, subzero.com.

PARTIAL FRAMED PANEL	W
BI-42SD	15 ¹ / ₁₆ " (383)
BI-48SD	18 ³ / ₄ " (476)

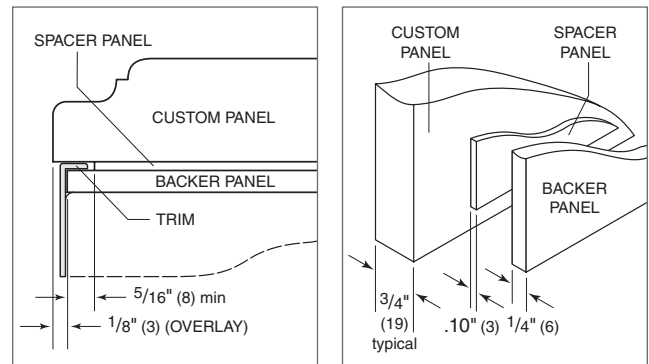
PANEL MOUNTING KIT

A Sub-Zero custom panel mounting kit eliminates the need for a backer and spacer panel and is available through an authorized Sub-Zero dealer. For local dealer information, visit the find a showroom section of our website, subzero.com. The kit consists of mounting cleats, screws and gages used to properly position the cleats. The kit is available for all built-in models except glass door models. Dual installations require two mounting kits.

OVERLAY PANELS

Overlay panels are typically created by combining a ³/₄" (19) custom panel, a .10" (3) spacer panel and a ¹/₄" (6) backer panel. Refer to the illustrations below.

When installing two units side by side, refer to page 16 for dual standard installations.



Panel assembly (cross section). Panel assembly (rear view).

Custom Panels

FLUSH INSET PANELS

The flush inset application is an overlay model with flush inset panels. It is not a separate model.

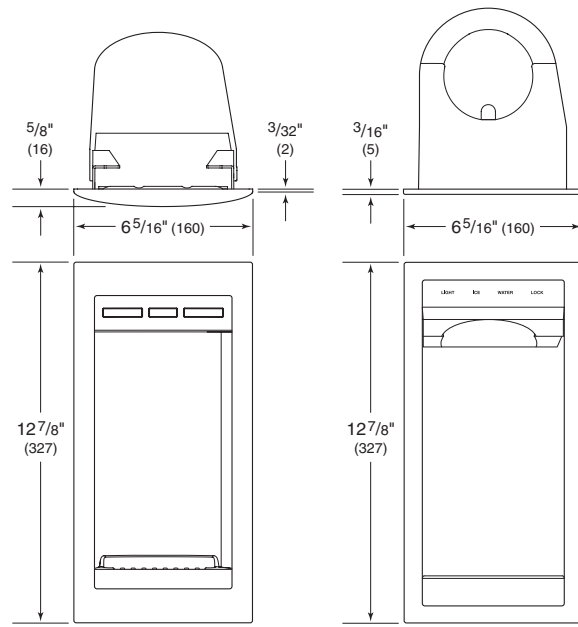
The flush inset design allows custom panels to be installed flush with adjacent cabinets. Similar to overlay, flush inset panels are typically created by combining a $\frac{3}{4}$ " (19) custom panel, a .10" (3) spacer panel and a $\frac{1}{4}$ " (6) backer panel. Refer to the illustrations for overlay panels.

For flush inset panels thicker than $\frac{3}{4}$ " (19), a 90° door stop may be required to prevent interference with adjacent cabinets. Refer to the full-scale templates at the end of this guide.

When installing two units side by side, refer to page 17 for dual flush inset installations.

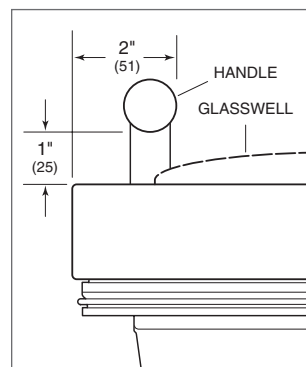
ICE AND WATER DISPENSER

For models BI-42SD and BI-48SD, the refrigerator door panel must include a cut-out to accommodate the external dispenser. The thickness of the panel in this area can range from $\frac{1}{4}$ " (6) to a maximum of $1\frac{1}{8}$ " (29). Refer to the illustrations below.



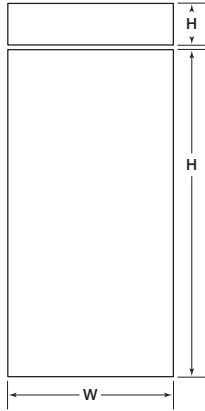
Dispenser dimensions.

Dispenser dimensions.

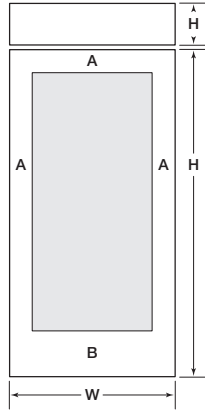


Handle placement.

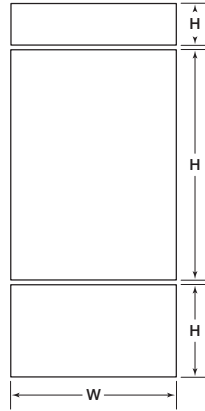
Framed Panel Dimensions



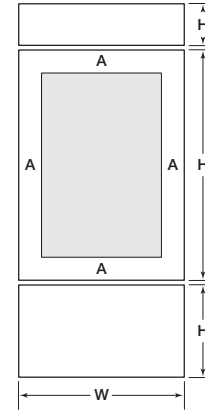
BI-36R, BI-36F



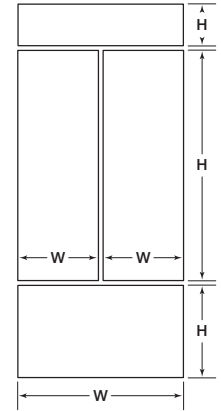
BI-36RG



BI-30U, BI-36U(ID)



BI-30UG, BI-36UG



BI-36UFD(ID),
BI-42UFD(ID)

MODEL BI-36R, BI-36RG, BI-36F

REFRIGERATOR/FREEZER	W	H
Door Panel	35 ³ / ₄ " (908)	69 ⁹ / ₁₆ " (1767)
GRILLE (OPTIONAL)	W	H
Grille Panel	35 ³ / ₄ " (908)	8 ¹⁵ / ₁₆ " (227)
BI-36RG	A	B
Stiles Rails	5 ³ / ₁₆ " (132)	10 ⁵ / ₁₆ " (262)

MODEL BI-30U, BI-30UG

REFRIGERATOR	W	H
Door Panel	29 ³ / ₄ " (756)	49 ¹⁵ / ₁₆ " (1268)
FREEZER	W	H
Drawer Panel	29 ³ / ₄ " (756)	18 ¹¹ / ₁₆ " (475)
GRILLE (OPTIONAL)	W	H
Grille Panel	29 ³ / ₄ " (756)	8 ¹⁵ / ₁₆ " (227)
BI-30UG	A	
Stiles Rails	5 ³ / ₁₆ " (132)	

MODEL BI-36U(ID), BI-36UG

REFRIGERATOR	W	H
Door Panel	35 ³ / ₄ " (908)	49 ¹⁵ / ₁₆ " (1268)
FREEZER	W	H
Drawer Panel	35 ³ / ₄ " (908)	18 ¹¹ / ₁₆ " (475)
GRILLE (OPTIONAL)	W	H
Grille Panel	35 ³ / ₄ " (908)	8 ¹⁵ / ₁₆ " (227)
BI-36UG	A	
Stiles Rails	5 ³ / ₁₆ " (132)	

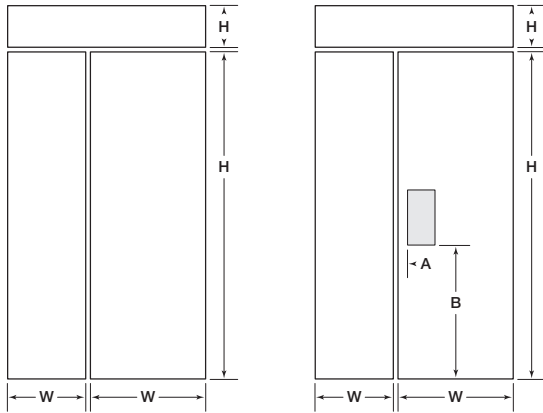
MODEL BI-36UFD(ID)

REFRIGERATOR (2 PANELS)	W	H
Door Panel	17 ⁵ / ₈ " (448)	49 ¹⁵ / ₁₆ " (1268)
FREEZER	W	H
Drawer Panel	35 ³ / ₄ " (908)	18 ¹¹ / ₁₆ " (475)
GRILLE (OPTIONAL)	W	H
Grille Panel	35 ³ / ₄ " (908)	8 ¹⁵ / ₁₆ " (227)

MODEL BI-42UFD(ID)

REFRIGERATOR (2 PANELS)	W	H
Door Panel	20 ⁵ / ₈ " (524)	49 ¹⁵ / ₁₆ " (1268)
FREEZER	W	H
Drawer Panel	41 ³ / ₄ " (1060)	18 ¹¹ / ₁₆ " (475)
GRILLE (OPTIONAL)	W	H
Grille Panel	41 ³ / ₄ " (1060)	8 ¹⁵ / ₁₆ " (227)

Framed Panel Dimensions



BI-36S, BI-42S(ID),
BI-48S(ID)

BI-42SD, BI-48SD

MODEL BI-36S

REFRIGERATOR	W	H
Door Panel	19 ¹³ / ₁₆ " (503)	69 ⁹ / ₁₆ " (1767)
FREEZER	W	H
Door Panel	15 ⁷ / ₁₆ " (392)	69 ⁹ / ₁₆ " (1767)
GRILLE (OPTIONAL)	W	H
Grille Panel	35 ³ / ₄ " (908)	8 ¹⁵ / ₁₆ " (227)

MODEL BI-42S, BI-42SID, BI-42SD

REFRIGERATOR	W	H
Door Panel	24 ¹³ / ₁₆ " (630)	69 ⁹ / ₁₆ " (1767)
FREEZER	W	H
Door Panel	16 ⁷ / ₁₆ " (418)	69 ⁹ / ₁₆ " (1767)
GRILLE (OPTIONAL)	W	H
Grille Panel	41 ³ / ₄ " (1060)	8 ¹⁵ / ₁₆ " (227)

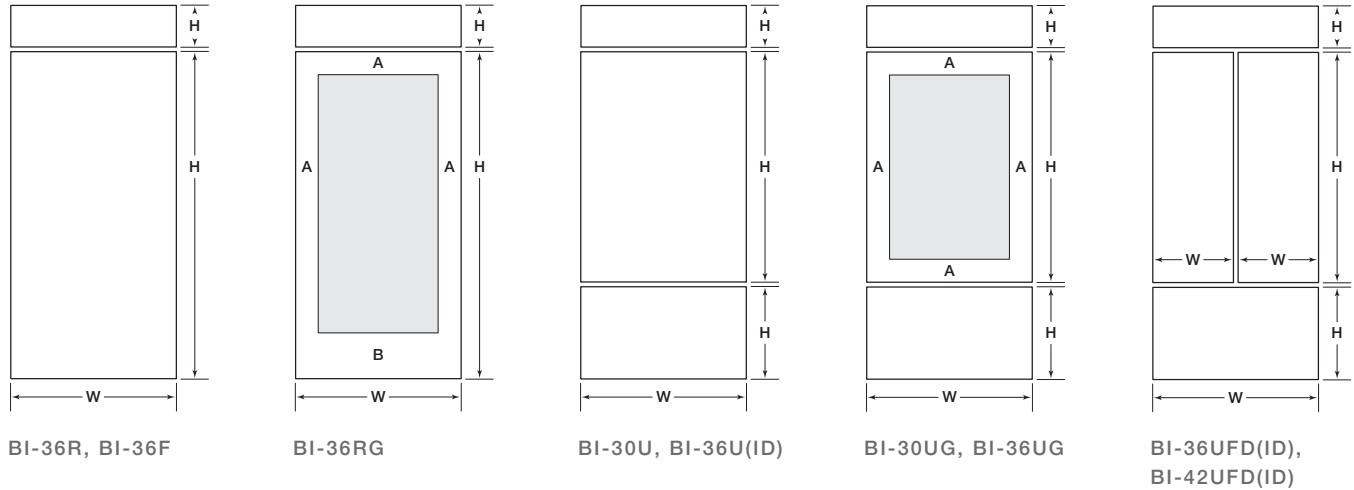
BI-42SD	W	H
Dispenser Cut-Out*	5 ⁷ / ₈ " (149)	12 ⁷ / ₁₆ " (316)
Cut-Out Location	1 ⁷ / ₈ " (48)	28 ³ / ₄ " (730)

MODEL BI-48S, BI-48SID, BI-48SD

REFRIGERATOR	W	H
Door Panel	28 ¹ / ₂ " (724)	69 ⁹ / ₁₆ " (1767)
FREEZER	W	H
Door Panel	18 ³ / ₄ " (476)	69 ⁹ / ₁₆ " (1767)
GRILLE (OPTIONAL)	W	H
Grille Panel	47 ³ / ₄ " (1213)	8 ¹⁵ / ₁₆ " (227)
BI-48SD	W	H
Dispenser Cut-Out*	5 ⁷ / ₈ " (149)	12 ⁷ / ₁₆ " (316)
Cut-Out Location	1 ⁷ / ₈ " (48)	28 ³ / ₄ " (730)

*For models BI-42SD and BI-48SD, panel thickness in dispenser area can range from 1/4" (6) to 1 1/8" (29) max. If panel is thicker, rout out 1/4" (6) min flat landing area to accommodate dispenser.

Overlay Panel Dimensions



BI-36R, BI-36F

BI-36RG

BI-30U, BI-36U(ID)

BI-30UG, BI-36UG

BI-36UFD(ID),
BI-42UFD(ID)

MODEL BI-36R, BI-36RG, BI-36F

REFRIGERATOR FREEZER	W	H
Overlay Panel	36" (914)	69 ³ / ₄ " (1772)
Spacer Panel	35 ¹ / ₈ " (892)	68 ¹⁵ / ₁₆ " (1751)
Backer Panel	35 ³ / ₄ " (908)	69 ⁹ / ₁₆ " (1767)

GRILLE	W	H
Overlay Panel	36" (914)	9 ¹ / ₄ " (235)*
Spacer Panel	35 ¹ / ₈ " (892)	8 ⁵ / ₁₆ " (211)
Backer Panel	35 ³ / ₄ " (908)	8 ¹⁵ / ₁₆ " (227)

BI-36RG	A	B
Stiles Rails	5 ¹ / ₄ " (133)	10 ³ / ₈ " (264)

MODEL BI-30U, BI-30UG

REFRIGERATOR	W	H
Overlay Panel	30" (762)	50 ¹ / ₈ " (1273)
Spacer Panel	29 ¹ / ₈ " (740)	49 ⁵ / ₁₆ " (1253)
Backer Panel	29 ³ / ₄ " (756)	49 ¹⁵ / ₁₆ " (1268)

FREEZER	W	H
Overlay Panel	30" (762)	19" (483)
Spacer Panel	29 ¹ / ₈ " (740)	18 ¹ / ₁₆ " (459)
Backer Panel	29 ³ / ₄ " (756)	18 ¹¹ / ₁₆ " (475)

GRILLE	W	H
Overlay Panel	30" (762)	9 ¹ / ₄ " (235)*
Spacer Panel	29 ¹ / ₈ " (740)	8 ⁵ / ₁₆ " (211)
Backer Panel	29 ³ / ₄ " (756)	8 ¹⁵ / ₁₆ " (227)

BI-30UG	A
Stiles Rails	5 ¹ / ₄ " (133)

MODEL BI-36U(ID), BI-36UG

REFRIGERATOR	W	H
Overlay Panel	36" (914)	50 ¹ / ₈ " (1273)
Spacer Panel	35 ¹ / ₈ " (892)	49 ⁵ / ₁₆ " (1253)
Backer Panel	35 ³ / ₄ " (908)	49 ¹⁵ / ₁₆ " (1268)

FREEZER	W	H
Overlay Panel	36" (914)	19" (483)
Spacer Panel	35 ¹ / ₈ " (892)	18 ¹ / ₁₆ " (459)
Backer Panel	35 ³ / ₄ " (908)	18 ¹¹ / ₁₆ " (475)

GRILLE	W	H
Overlay Panel	36" (914)	9 ¹ / ₄ " (235)*
Spacer Panel	35 ¹ / ₈ " (892)	8 ⁵ / ₁₆ " (211)
Backer Panel	35 ³ / ₄ " (908)	8 ¹⁵ / ₁₆ " (227)

BI-36UG	A
Stiles Rails	5 ¹ / ₄ " (133)

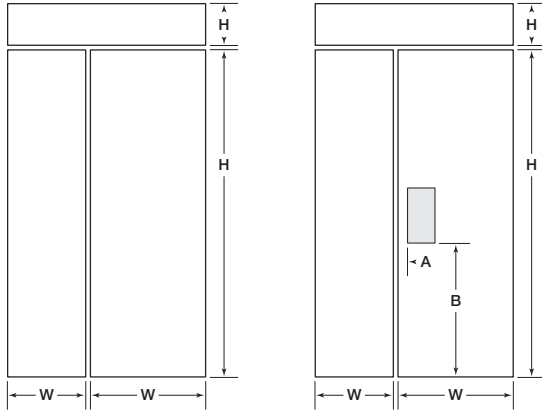
MODEL BI-36UFD(ID)

REFRIGERATOR (2 PANELS)	W	H
Overlay Panel	17 ⁷ / ₈ " (454)	50 ¹ / ₈ " (1273)
Spacer Panel	17" (432)	49 ⁵ / ₁₆ " (1253)
Backer Panel	17 ⁵ / ₈ " (448)	49 ¹⁵ / ₁₆ " (1268)

FREEZER	W	H
Overlay Panel	36" (914)	19" (483)
Spacer Panel	35 ¹ / ₈ " (892)	18 ¹ / ₁₆ " (459)
Backer Panel	35 ³ / ₄ " (908)	18 ¹¹ / ₁₆ " (475)

GRILLE	W	H
Overlay Panel	36" (914)	9 ¹ / ₄ " (235)*
Spacer Panel	35 ¹ / ₈ " (892)	8 ⁵ / ₁₆ " (211)
Backer Panel	35 ³ / ₄ " (908)	8 ¹⁵ / ₁₆ " (227)

Overlay Panel Dimensions



BI-36S, BI-42S(ID),
BI-48S(ID)

BI-42SD, BI-48SD

MODEL BI-42UFD(ID)

REFRIGERATOR (2 PANELS)	W	H
Overlay Panel	20 ⁷ / ₈ " (530)	50 ¹ / ₈ " (1273)
Spacer Panel	20" (508)	49 ⁵ / ₁₆ " (1253)
Backer Panel	20 ⁵ / ₈ " (524)	49 ¹⁵ / ₁₆ " (1268)
FREEZER	W	H
Overlay Panel	42" (1067)	19" (483)
Spacer Panel	41 ¹ / ₈ " (1045)	18 ¹ / ₁₆ " (459)
Backer Panel	41 ³ / ₄ " (1060)	18 ¹¹ / ₁₆ " (475)
GRILLE	W	H
Overlay Panel	42" (1067)	9 ¹ / ₄ " (235)*
Spacer Panel	41 ¹ / ₈ " (1045)	8 ⁵ / ₁₆ " (211)
Backer Panel	41 ³ / ₄ " (1060)	8 ¹⁵ / ₁₆ " (227)

MODEL BI-36S

REFRIGERATOR	W	H
Overlay Panel	20 ¹ / ₁₆ " (510)	69 ³ / ₄ " (1772)
Spacer Panel	19 ³ / ₁₆ " (487)	68 ¹⁵ / ₁₆ " (1751)
Backer Panel	19 ¹³ / ₁₆ " (503)	69 ⁹ / ₁₆ " (1767)
FREEZER	W	H
Overlay Panel	15 ¹¹ / ₁₆ " (398)	69 ³ / ₄ " (1772)
Spacer Panel	14 ¹³ / ₁₆ " (376)	68 ¹⁵ / ₁₆ " (1751)
Backer Panel	15 ⁷ / ₁₆ " (392)	69 ⁹ / ₁₆ " (1767)
GRILLE	W	H
Overlay Panel	36" (914)	9 ¹ / ₄ " (235)*
Spacer Panel	35 ¹ / ₈ " (892)	8 ⁵ / ₁₆ " (211)
Backer Panel	35 ³ / ₄ " (908)	8 ¹⁵ / ₁₆ " (227)

MODEL BI-42S, BI-42SID, BI-42SD

REFRIGERATOR	W	H
Overlay Panel	25 ¹ / ₁₆ " (637)	69 ³ / ₄ " (1772)
Spacer Panel	24 ³ / ₁₆ " (614)	68 ¹⁵ / ₁₆ " (1751)
Backer Panel	24 ¹³ / ₁₆ " (630)	69 ⁹ / ₁₆ " (1767)
FREEZER	W	H
Overlay Panel	16 ¹¹ / ₁₆ " (424)	69 ³ / ₄ " (1772)
Spacer Panel	15 ¹³ / ₁₆ " (402)	68 ¹⁵ / ₁₆ " (1751)
Backer Panel	16 ⁷ / ₁₆ " (418)	69 ⁹ / ₁₆ " (1767)
GRILLE	W	H
Overlay Panel	42" (1067)	9 ¹ / ₄ " (235)*
Spacer Panel	41 ¹ / ₈ " (1045)	8 ⁵ / ₁₆ " (211)
Backer Panel	41 ³ / ₄ " (1060)	8 ¹⁵ / ₁₆ " (227)
BI-42SD	W	H
Dispenser Cut-Out	5 ⁷ / ₈ " (149)	12 ⁷ / ₁₆ " (316)
	A	B
Cut-Out Location	2" (51)	28 ¹³ / ₁₆ " (732)

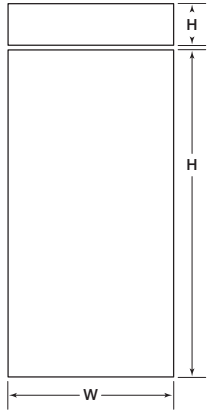
MODEL BI-48S, BI-48SID, BI-48SD

REFRIGERATOR	W	H
Overlay Panel	28 ³ / ₄ " (730)	69 ³ / ₄ " (1772)
Spacer Panel	27 ⁷ / ₈ " (708)	68 ¹⁵ / ₁₆ " (1751)
Backer Panel	28 ¹ / ₂ " (724)	69 ⁹ / ₁₆ " (1767)
FREEZER	W	H
Overlay Panel	19" (483)	69 ³ / ₄ " (1772)
Spacer Panel	18 ¹ / ₈ " (460)	68 ¹⁵ / ₁₆ " (1751)
Backer Panel	18 ³ / ₄ " (476)	69 ⁹ / ₁₆ " (1767)
GRILLE	W	H
Overlay Panel	48" (1219)	9 ¹ / ₄ " (235)*
Spacer Panel	47 ¹ / ₈ " (1197)	8 ⁵ / ₁₆ " (211)
Backer Panel	47 ³ / ₄ " (1213)	8 ¹⁵ / ₁₆ " (227)
BI-48SD	W	H
Dispenser Cut-Out	5 ⁷ / ₈ " (149)	12 ⁷ / ₁₆ " (316)
	A	B
Cut-Out Location	2" (51)	28 ¹³ / ₁₆ " (732)

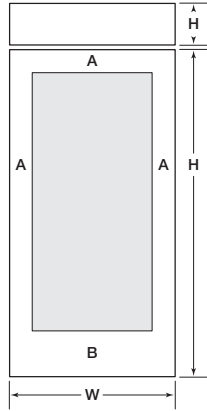
*Panel height may be increased by ⁷/₁₆" (11) to hide upper main frame. Also refer to built-in panel configurator at subzero.com/trade/panels.

Grille panel dimensions are for standard 84" (2134) overall unit height. For 83" (2108) height, subtract 1" (25) from grille panel height dimensions and for 88" (2235) height, add 4" (102). A specific panel grille must be ordered for an 83" or 88" overall unit height.

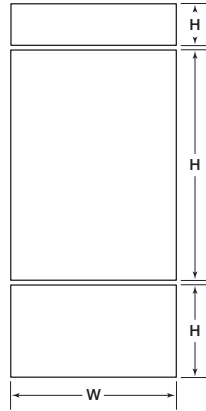
Flush Inset Panel Dimensions



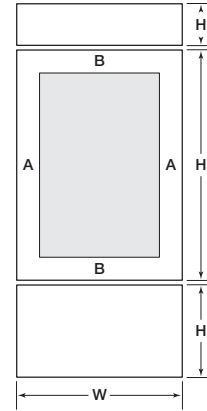
BI-36R, BI-36F



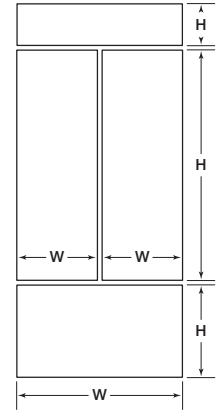
BI-36RG



BI-30U, BI-36U(ID)



BI-30UG, BI-36UG



BI-36UFD(ID),
BI-42UFD(ID)

MODEL BI-36R, BI-36RG, BI-36F

REFRIGERATOR FREEZER	W	H
Flush Inset Panel	37" (940)	69 ³ / ₄ " (1772)
Spacer Panel	35 ¹ / ₈ " (892)	68 ¹⁵ / ₁₆ " (1751)
Backer Panel	35 ³ / ₄ " (908)	69 ⁹ / ₁₆ " (1767)

GRILLE	W	H
Flush Inset Panel	37" (940)	9 ¹ / ₄ " (235)
Spacer Panel	35 ¹ / ₈ " (892)	8 ⁵ / ₁₆ " (211)
Backer Panel	35 ³ / ₄ " (908)	8 ¹⁵ / ₁₆ " (227)

BI-36RG	A	B
Stiles Rails	5 ³ / ₄ " (146)	10 ³ / ₈ " (264)

MODEL BI-30U, BI-30UG

REFRIGERATOR	W	H
Flush Inset Panel	31" (787)	50 ¹ / ₈ " (1273)
Spacer Panel	29 ¹ / ₈ " (740)	49 ⁵ / ₁₆ " (1253)
Backer Panel	29 ³ / ₄ " (756)	49 ¹⁵ / ₁₆ " (1268)

FREEZER	W	H
Flush Inset Panel	31" (787)	19" (483)
Spacer Panel	29 ¹ / ₈ " (740)	18 ¹ / ₁₆ " (459)
Backer Panel	29 ³ / ₄ " (756)	18 ¹¹ / ₁₆ " (475)

GRILLE	W	H
Flush Inset Panel	31" (787)	9 ¹ / ₄ " (235)
Spacer Panel	29 ¹ / ₈ " (740)	8 ⁵ / ₁₆ " (211)
Backer Panel	29 ³ / ₄ " (756)	8 ¹⁵ / ₁₆ " (227)

BI-30UG	A	B
Stiles Rails	5 ³ / ₄ " (146)	5 ¹ / ₄ " (133)

MODEL BI-36U(ID), BI-36UG

REFRIGERATOR	W	H
Flush Inset Panel	37" (940)	50 ¹ / ₈ " (1273)
Spacer Panel	35 ¹ / ₈ " (892)	49 ⁵ / ₁₆ " (1253)
Backer Panel	35 ³ / ₄ " (908)	49 ¹⁵ / ₁₆ " (1268)

FREEZER	W	H
Flush Inset Panel	37" (940)	19" (483)
Spacer Panel	35 ¹ / ₈ " (892)	18 ¹ / ₁₆ " (459)
Backer Panel	35 ³ / ₄ " (908)	18 ¹¹ / ₁₆ " (475)

GRILLE	W	H
Flush Inset Panel	37" (940)	9 ¹ / ₄ " (235)
Spacer Panel	35 ¹ / ₈ " (892)	8 ⁵ / ₁₆ " (211)
Backer Panel	35 ³ / ₄ " (908)	8 ¹⁵ / ₁₆ " (227)

BI-36UG	A	B
Stiles Rails	5 ³ / ₄ " (146)	5 ¹ / ₄ " (133)

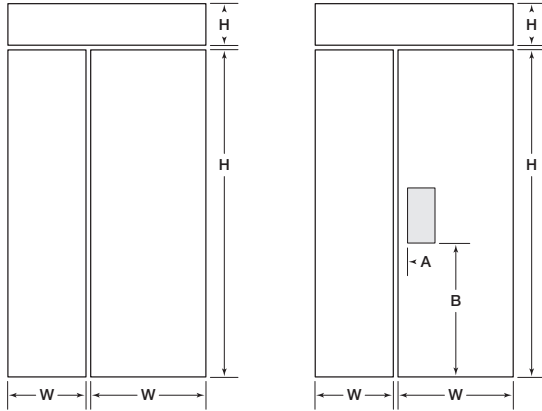
MODEL BI-36UFD(ID)

REFRIGERATOR (2 PANELS)	W	H
Flush Inset Panel	18 ³ / ₈ " (467)	50 ¹ / ₈ " (1273)
Spacer Panel	17" (432)	49 ⁵ / ₁₆ " (1253)
Backer Panel	17 ⁵ / ₈ " (448)	49 ¹⁵ / ₁₆ " (1268)

FREEZER	W	H
Flush Inset Panel	37" (940)	19" (483)
Spacer Panel	35 ¹ / ₈ " (892)	18 ¹ / ₁₆ " (459)
Backer Panel	35 ³ / ₄ " (908)	18 ¹¹ / ₁₆ " (475)

GRILLE	W	H
Flush Inset Panel	37" (940)	9 ¹ / ₄ " (235)
Spacer Panel	35 ¹ / ₈ " (892)	8 ⁵ / ₁₆ " (211)
Backer Panel	35 ³ / ₄ " (908)	8 ¹⁵ / ₁₆ " (227)

Flush Inset Panel Dimensions



BI-36S, BI-42S(ID), BI-48S(ID)

BI-42SD, BI-48SD

MODEL BI-42UFD(ID)

REFRIGERATOR (2 PANELS)	W	H
Flush Inset Panel	21 ³ / ₈ " (543)	50 ¹ / ₈ " (1273)
Spacer Panel	20" (508)	49 ⁵ / ₁₆ " (1253)
Backer Panel	20 ⁵ / ₈ " (524)	49 ¹⁵ / ₁₆ " (1268)
FREEZER	W	H
Flush Inset Panel	43" (1092)	19" (483)
Spacer Panel	41 ¹ / ₈ " (1045)	18 ¹ / ₁₆ " (459)
Backer Panel	41 ³ / ₄ " (1060)	18 ¹¹ / ₁₆ " (475)
GRILLE	W	H
Flush Inset Panel	43" (1092)	9 ¹ / ₄ " (235)
Spacer Panel	41 ¹ / ₈ " (1045)	8 ⁵ / ₁₆ " (211)
Backer Panel	41 ³ / ₄ " (1060)	8 ¹⁵ / ₁₆ " (227)

MODEL BI-36S

REFRIGERATOR	W	H
Flush Inset Panel	20 ⁹ / ₁₆ " (522)	69 ³ / ₄ " (1772)
Spacer Panel	19 ³ / ₁₆ " (487)	68 ¹⁵ / ₁₆ " (1751)
Backer Panel	19 ¹³ / ₁₆ " (503)	69 ⁹ / ₁₆ " (1767)
FREEZER	W	H
Flush Inset Panel	16 ³ / ₁₆ " (411)	69 ³ / ₄ " (1772)
Spacer Panel	14 ¹³ / ₁₆ " (376)	68 ¹⁵ / ₁₆ " (1751)
Backer Panel	15 ⁷ / ₁₆ " (392)	69 ⁹ / ₁₆ " (1767)
GRILLE	W	H
Flush Inset Panel	37" (940)	9 ¹ / ₄ " (235)
Spacer Panel	35 ¹ / ₈ " (892)	8 ⁵ / ₁₆ " (211)
Backer Panel	35 ³ / ₄ " (908)	8 ¹⁵ / ₁₆ " (227)

MODEL BI-42S, BI-42SID, BI-42SD

REFRIGERATOR	W	H
Flush Inset Panel	25 ⁹ / ₁₆ " (649)	69 ³ / ₄ " (1772)
Spacer Panel	24 ³ / ₁₆ " (614)	68 ¹⁵ / ₁₆ " (1751)
Backer Panel	24 ¹³ / ₁₆ " (630)	69 ⁹ / ₁₆ " (1767)
FREEZER	W	H
Flush Inset Panel	17 ³ / ₁₆ " (437)	69 ³ / ₄ " (1772)
Spacer Panel	15 ¹³ / ₁₆ " (402)	68 ¹⁵ / ₁₆ " (1751)
Backer Panel	16 ⁷ / ₁₆ " (418)	69 ⁹ / ₁₆ " (1767)
GRILLE	W	H
Flush Inset Panel	43" (1092)	9 ¹ / ₄ " (235)
Spacer Panel	41 ¹ / ₈ " (1045)	8 ⁵ / ₁₆ " (211)
Backer Panel	41 ³ / ₄ " (1060)	8 ¹⁵ / ₁₆ " (227)
BI-42SD	W	H
Dispenser Cut-Out	5 ⁷ / ₈ " (149)	12 ⁷ / ₁₆ " (316)
	A	B
Cut-Out Location	2" (51)	28 ¹³ / ₁₆ " (732)

MODEL BI-48S, BI-48SID, BI-48SD

REFRIGERATOR	W	H
Flush Inset Panel	29 ¹ / ₄ " (743)	69 ³ / ₄ " (1772)
Spacer Panel	27 ⁷ / ₈ " (708)	68 ¹⁵ / ₁₆ " (1751)
Backer Panel	28 ¹ / ₂ " (724)	69 ⁹ / ₁₆ " (1767)
FREEZER	W	H
Flush Inset Panel	19 ¹ / ₂ " (495)	69 ³ / ₄ " (1772)
Spacer Panel	18 ¹ / ₈ " (460)	68 ¹⁵ / ₁₆ " (1751)
Backer Panel	18 ³ / ₄ " (476)	69 ⁹ / ₁₆ " (1767)
GRILLE	W	H
Flush Inset Panel	49" (1245)	9 ¹ / ₄ " (235)
Spacer Panel	47 ¹ / ₈ " (1197)	8 ⁵ / ₁₆ " (211)
Backer Panel	47 ³ / ₄ " (1213)	8 ¹⁵ / ₁₆ " (227)
BI-48SD	W	H
Dispenser Cut-Out	5 ⁷ / ₈ " (149)	12 ⁷ / ₁₆ " (316)
	A	B
Cut-Out Location	2" (51)	28 ¹³ / ₁₆ " (732)

Grille panel dimensions are for standard 84" (2134) overall unit height. For 83" (2108) height, subtract 1" (25) from grille panel height dimensions and for 88" (2235) height, add 4" (102). A specific panel grille must be ordered for an 83" or 88" overall unit height.

Flush Inset Panels

PANEL OFFSET

The illustrations provide panel offsets and reveals for built-in models in a flush inset application. Refer to the chart below for reference to the illustrations.

PANEL OFFSET

ALL REFRIGERATOR | ALL FREEZER

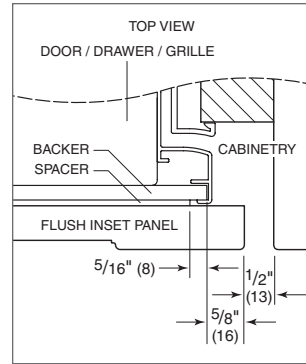
	ILLUS
Door Grille Sides	A
Grille Top	C
Grille Bottom Door Top	D
Door Bottom	F

OVER-AND-UNDER

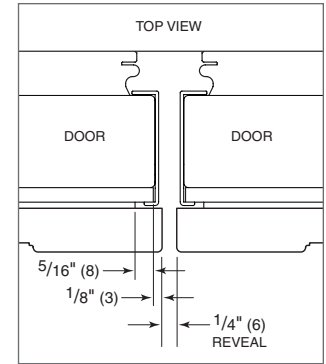
	ILLUS
Door (hinge) Drawer Grille Sides	A
Doors (handle) Sides (French door only)	B
Grille Top	C
Grille Bottom Door Top	D
Door Bottom Drawer Top	E
Drawer Bottom	F

SIDE-BY-SIDE

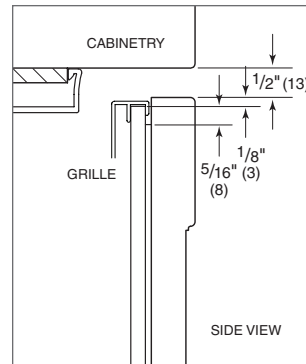
	ILLUS
Doors (hinge) Grille Sides	A
Doors (handle) Sides	B
Grille Top	C
Grille Bottom Door Top	D
Door Bottom	F



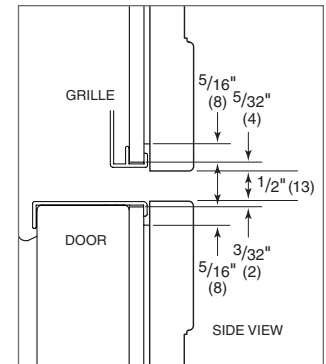
Illus. A



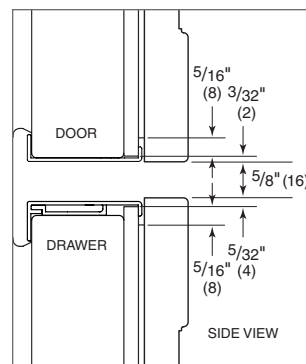
Illus. B



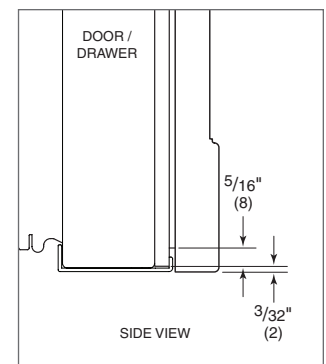
Illus. C



Illus. D



Illus. E



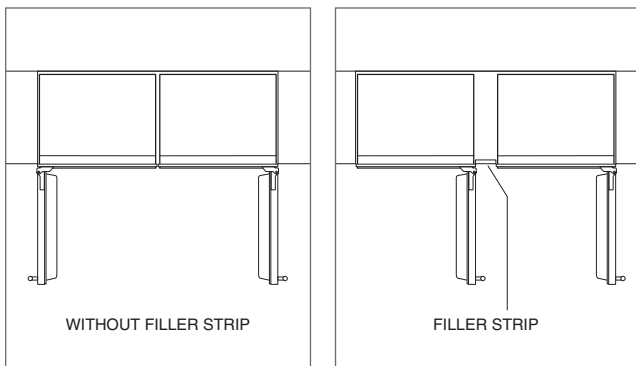
Illus. F

Dual Installation

If two units are installed side by side, a dual installation kit may be required. Installations without a custom filler strip require a dual installation kit. If a dual installation kit is not specified, a 2" (51) filler strip is recommended between units. A custom filler strip is required when installing two French door or side-by-side models. Dual installations without a filler strip can only be accomplished using two units with opposite hinges. Refer to the illustrations below.

Dual installation kits are available through an authorized Sub-Zero dealer. For local dealer information, visit the find a showroom section of our website, subzero.com. For questions regarding the installation, call Sub-Zero customer care at 800-222-7820.

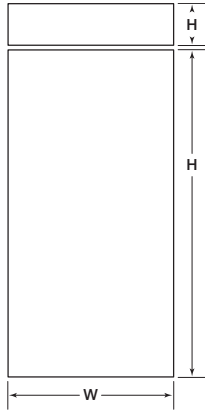
For dual standard installations, panel dimensions are the same as for single installations. Refer to the charts on pages 22–25. Panel dimensions and offsets for dual flush inset installations are listed on the following pages.



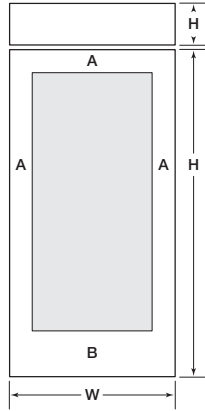
Opposite hinges.

Same side hinges.

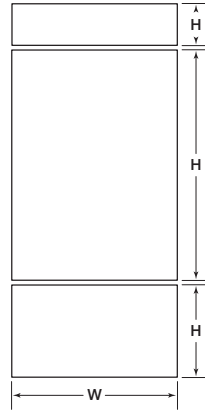
Dual Flush Inset Panel Dimensions



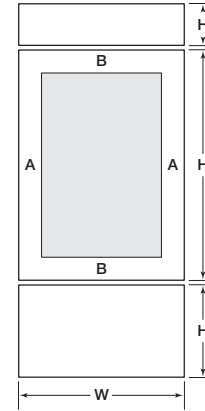
BI-36R, BI-36F



BI-36RG



BI-30U, BI-36U(ID)



BI-30UG, BI-36UG

MODEL BI-36R, BI-36RG, BI-36F

REFRIGERATOR FREEZER	W	H
Flush Inset Panel	36 ¹ / ₂ " (927)	69 ³ / ₄ " (1772)
Spacer Panel	35 ¹ / ₈ " (892)	68 ¹⁵ / ₁₆ " (1751)
Backer Panel	35 ³ / ₄ " (908)	69 ⁹ / ₁₆ " (1767)
GRILLE	W	H
Flush Inset Panel	36 ¹ / ₂ " (927)	9 ¹ / ₄ " (235)
Spacer Panel	35 ¹ / ₈ " (892)	8 ⁵ / ₁₆ " (211)
Backer Panel	35 ³ / ₄ " (908)	8 ¹⁵ / ₁₆ " (227)
BI-36RG	A	B
Stiles Rails	5 ³ / ₄ " (146)	10 ³ / ₈ " (264)

MODEL BI-30U, BI-30UG

REFRIGERATOR	W	H
Flush Inset Panel	30 ¹ / ₂ " (775)	50 ¹ / ₈ " (1273)
Spacer Panel	29 ¹ / ₈ " (740)	49 ⁵ / ₁₆ " (1253)
Backer Panel	29 ³ / ₄ " (756)	49 ¹⁵ / ₁₆ " (1268)
FREEZER	W	H
Flush Inset Panel	30 ¹ / ₂ " (775)	19" (483)
Spacer Panel	29 ¹ / ₈ " (740)	18 ¹ / ₁₆ " (459)
Backer Panel	29 ³ / ₄ " (756)	18 ¹¹ / ₁₆ " (475)
GRILLE	W	H
Flush Inset Panel	30 ¹ / ₂ " (775)	9 ¹ / ₄ " (235)
Spacer Panel	29 ¹ / ₈ " (740)	8 ⁵ / ₁₆ " (211)
Backer Panel	29 ³ / ₄ " (756)	8 ¹⁵ / ₁₆ " (227)
BI-30UG	A	B
Stiles Rails	5 ³ / ₄ " (146)	5 ¹ / ₄ " (133)

MODEL BI-36U(ID), BI-36UG

REFRIGERATOR	W	H
Flush Inset Panel	36 ¹ / ₂ " (927)	50 ¹ / ₈ " (1273)
Spacer Panel	35 ¹ / ₈ " (892)	49 ⁵ / ₁₆ " (1253)
Backer Panel	35 ³ / ₄ " (908)	49 ¹⁵ / ₁₆ " (1268)
FREEZER	W	H
Flush Inset Panel	36 ¹ / ₂ " (927)	19" (483)
Spacer Panel	35 ¹ / ₈ " (892)	18 ¹ / ₁₆ " (459)
Backer Panel	35 ³ / ₄ " (908)	18 ¹¹ / ₁₆ " (475)
GRILLE	W	H
Flush Inset Panel	36 ¹ / ₂ " (927)	9 ¹ / ₄ " (235)
Spacer Panel	35 ¹ / ₈ " (892)	8 ⁵ / ₁₆ " (211)
Backer Panel	35 ³ / ₄ " (908)	8 ¹⁵ / ₁₆ " (227)
BI-36UG	A	B
Stiles Rails	5 ³ / ₄ " (146)	5 ¹ / ₄ " (133)

Grille panel dimensions are for standard 84" (2134) overall unit height. For 83" (2108) height, subtract 1" (25) from grille panel height dimensions and for 88" (2235) height, add 4" (102). A specific panel grille must be ordered for an 83" or 88" overall unit height. For dual wide grilles, refer to page 32.

Dual Installation

DUAL FLUSH INSET PANEL OFFSET

The illustrations provide panel offsets and reveals for built-in models in a dual flush inset application. Refer to the chart below for reference to the illustrations.

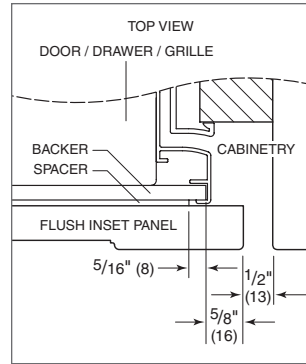
PANEL OFFSET

ALL REFRIGERATOR | ALL FREEZER

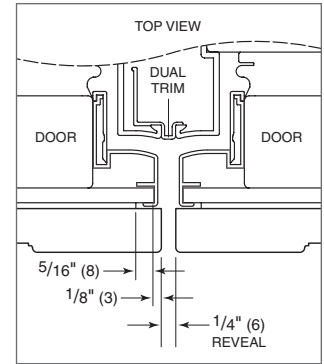
	ILLUS
Door (hinge) Grille Sides	A
Door (handle) Sides	B
Grille Top	C
Grille Bottom Door Top	D
Door Bottom	F

OVER-AND-UNDER

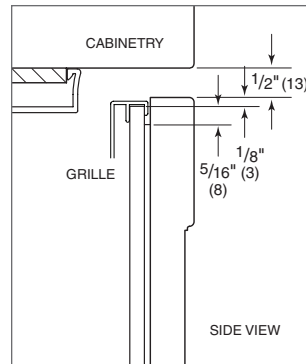
	ILLUS
Door (hinge) Drawer Grille Sides	A
Door (handle) Sides	B
Grille Top	C
Grille Bottom Door Top	D
Door Bottom Drawer Top	E
Drawer Bottom	F



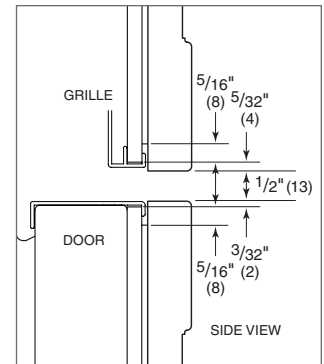
Illus. A



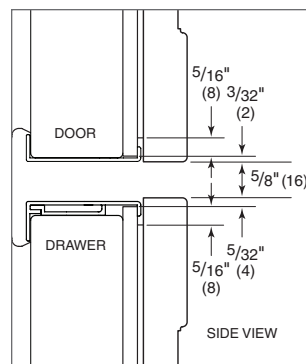
Illus. B



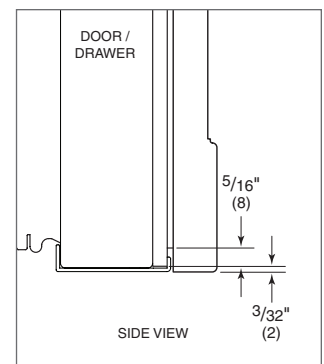
Illus. C



Illus. D



Illus. E



Illus. F

Dual Installation

DUAL WIDE GRILLE

A dual wide grille spans the entire width of both units in a dual installation and is a part of a dual installation kit.

For overlay and flush inset panel dimensions for the dual wide grille, refer to the charts below. Dimensions listed are for a standard 84" (2134) finished height.

DUAL WIDE GRILLE—OVERLAY

TWO 30" MODELS		W	H
Overlay Panel	60 ¹ / ₄ " (1530)		9 ¹ / ₄ " (235)
Spacer Panel	59 ³ / ₈ " (1508)		8 ⁵ / ₁₆ " (211)
Backer Panel	60" (1524)		8 ¹⁵ / ₁₆ " (227)
30" AND 36" MODEL		W	H
Overlay Panel	66 ¹ / ₄ " (1683)		9 ¹ / ₄ " (235)
Spacer Panel	65 ³ / ₈ " (1661)		8 ⁵ / ₁₆ " (211)
Backer Panel	66" (1676)		8 ¹⁵ / ₁₆ " (227)
TWO 36" MODELS		W	H
Overlay Panel	72 ¹ / ₄ " (1835)		9 ¹ / ₄ " (235)
Spacer Panel	71 ³ / ₈ " (1813)		8 ⁵ / ₁₆ " (211)
Backer Panel	72" (1829)		8 ¹⁵ / ₁₆ " (227)

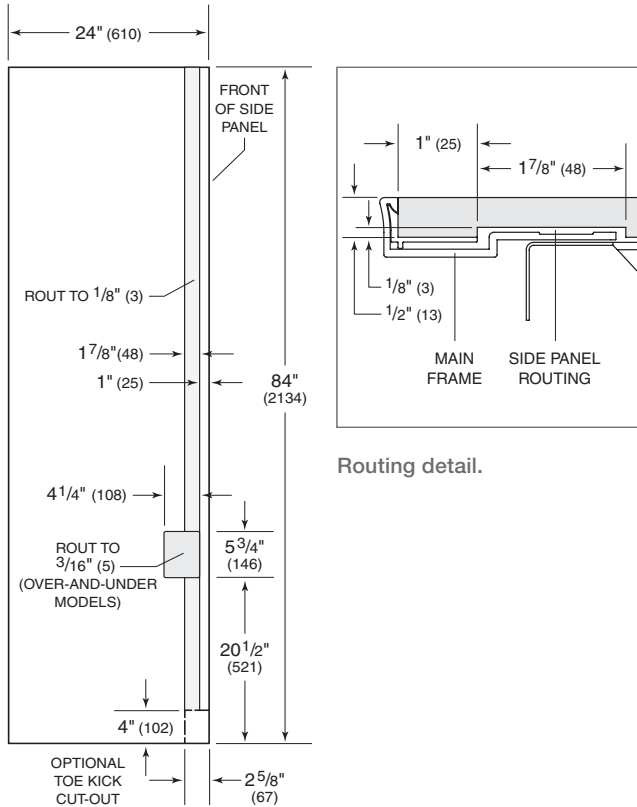
DUAL WIDE GRILLE—FLUSH INSET

TWO 30" MODELS		W	H
Flush Inset Panel	61 ¹ / ₄ " (1556)		9 ¹ / ₄ " (235)
Spacer Panel	59 ³ / ₈ " (1508)		8 ⁵ / ₁₆ " (211)
Backer Panel	60" (1524)		8 ¹⁵ / ₁₆ " (227)
30" AND 36" MODEL		W	H
Flush Inset Panel	67 ¹ / ₄ " (1708)		9 ¹ / ₄ " (235)
Spacer Panel	65 ³ / ₈ " (1661)		8 ⁵ / ₁₆ " (211)
Backer Panel	66" (1676)		8 ¹⁵ / ₁₆ " (227)
TWO 36" MODELS		W	H
Flush Inset Panel	73 ¹ / ₄ " (1861)		9 ¹ / ₄ " (235)
Spacer Panel	71 ³ / ₈ " (1813)		8 ⁵ / ₁₆ " (211)
Backer Panel	72" (1829)		8 ¹⁵ / ₁₆ " (227)

Side Panel

The custom side panels must be a minimum of 24" (610) deep and 1/2" (13) thick. Routing will be necessary for the side panel to fit flush against the side of the unit. Refer to the illustrations below.

When installing a built-in unit with a custom side panel, an accessory kit is required. Stainless steel and white enamel side panels are available through an authorized Sub-Zero dealer. For local dealer information, visit the find a showroom section of our website, subzero.com.



Side panel dimensions.

Standard Handles

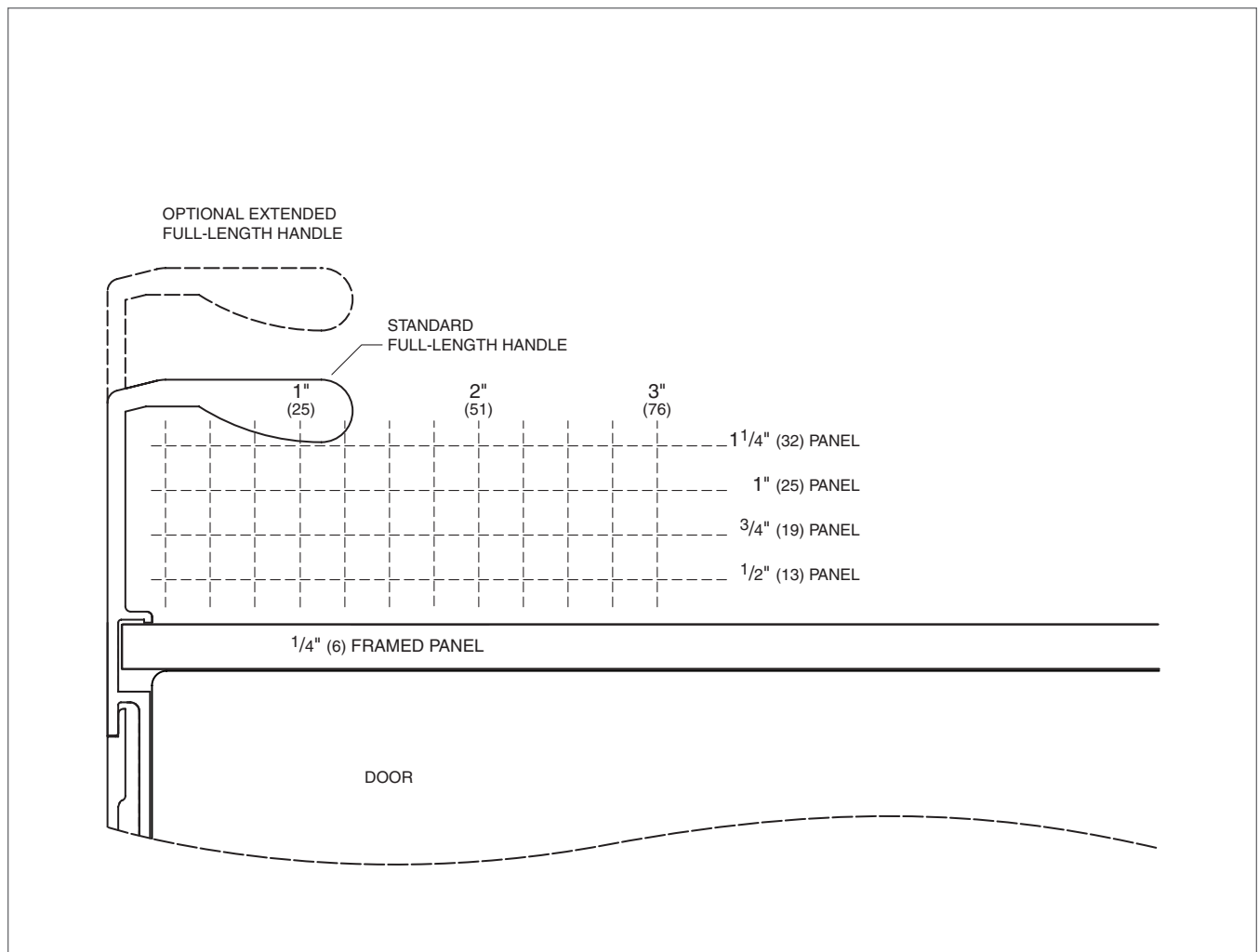
Optional stainless steel tubular and pro handles are available through an authorized Sub-Zero dealer. For local dealer information, visit the find a showroom section of our website, subzero.com.

Refer to the chart below for standard handle lengths for built-in models.

HANDLE LENGTH	TUBULAR	PRO
Full Door	63 ⁷ / ₈ " (1622)	45 ³ / ₁₆ " (1147)
Over-and-Under Door	44 ¹ / ₄ " (1124)	37 ¹ / ₂ " (952)
30" Drawer	24 ⁵ / ₁₆ " (633)	17 ⁹ / ₁₆ " (447)
36" Drawer	30 ⁵ / ₁₆ " (770)	23 ⁵ / ₈ " (600)
42" Drawer	36 ⁵ / ₁₆ " (922)	29 ⁵ / ₈ " (753)

Framed Panels

FULL-SCALE TEMPLATE

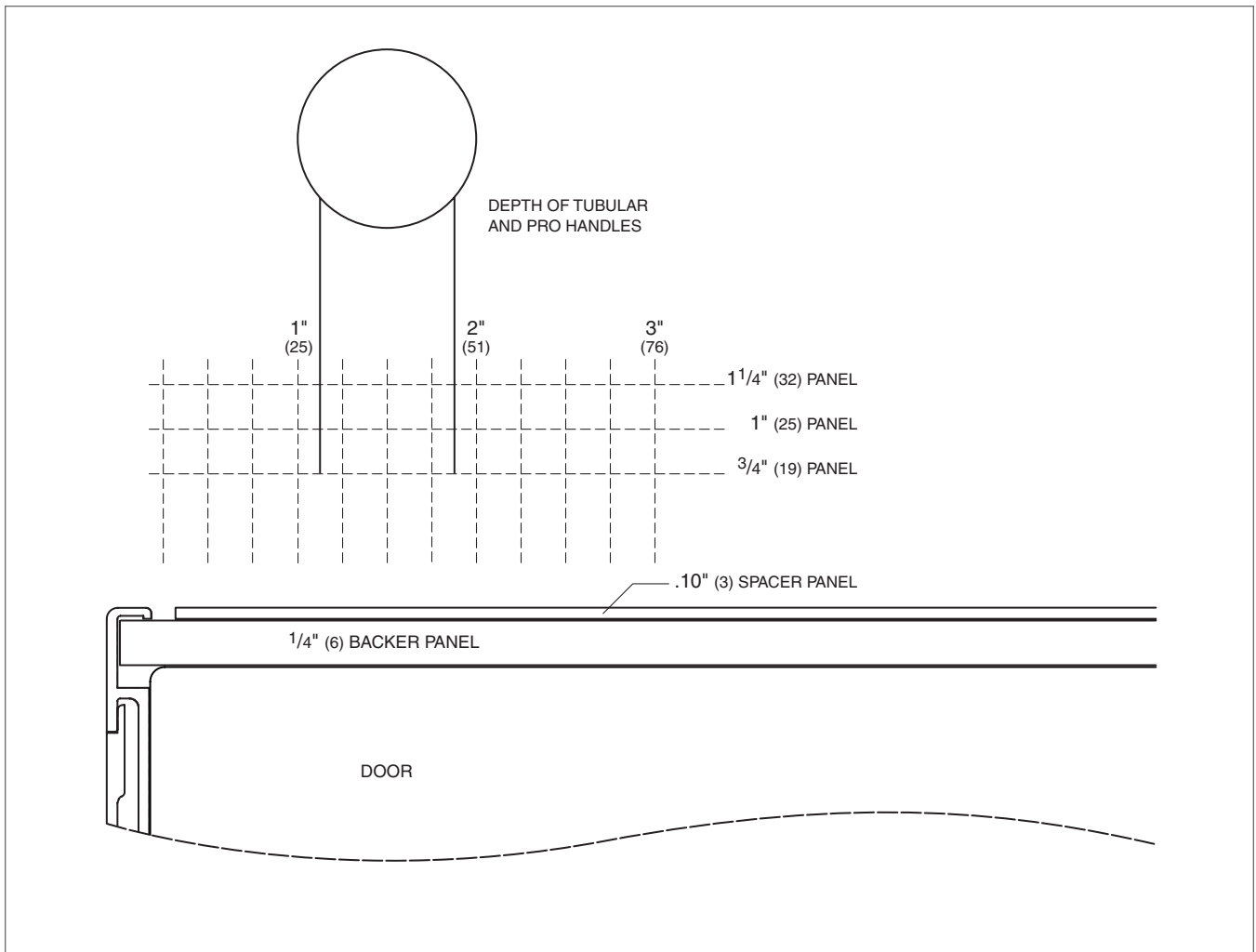


Framed panel thickness.

Overlay | Flush Inset Panels

FULL-SCALE TEMPLATE

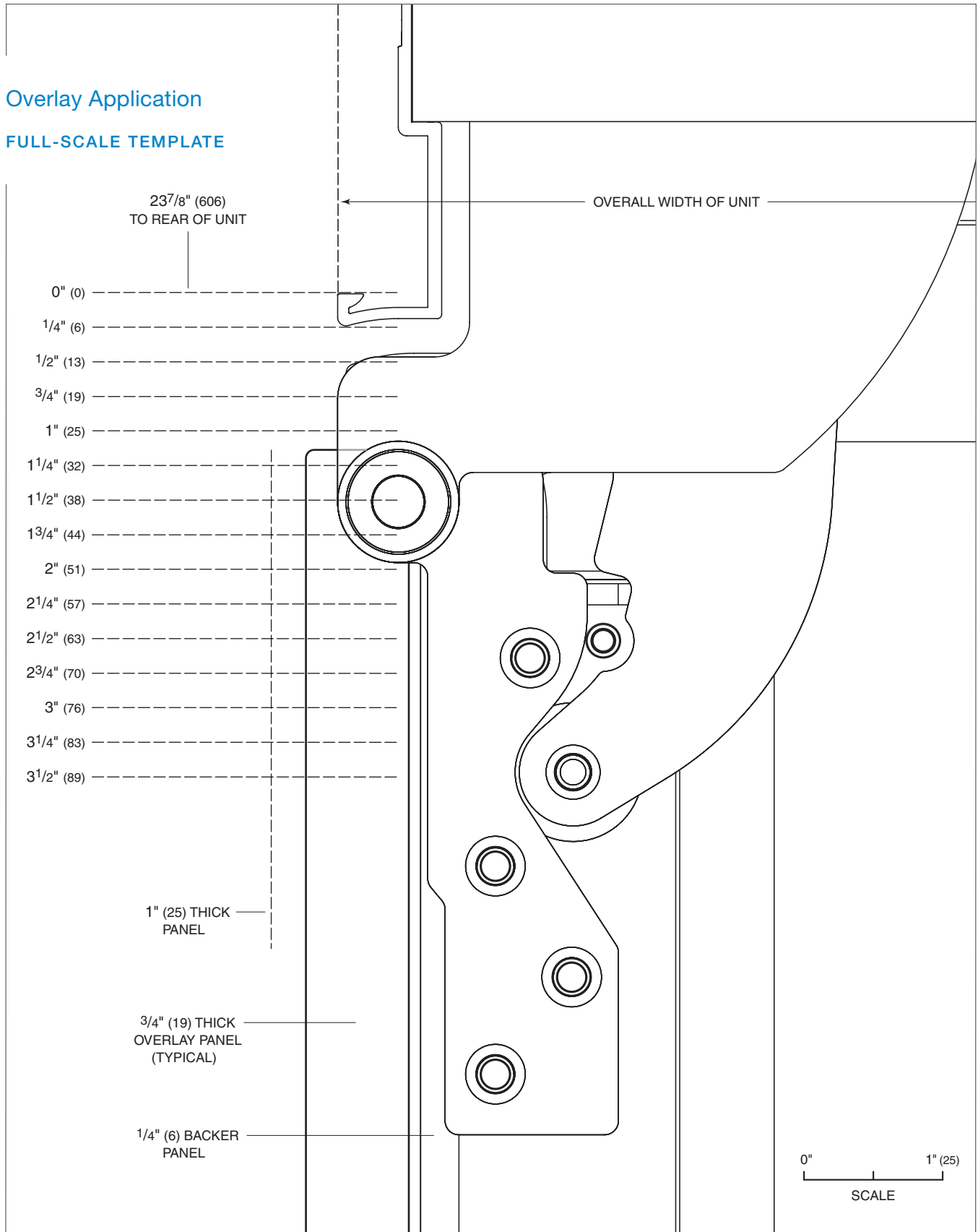
Overlay and flush inset panels must be a minimum of 5/8" (16) thick to support mounting the handle. Panel thickness does not include backer and spacer panel. Mount handle close to the opening edge of the door.



Overlay and flush inset panel thickness.

Overlay Application

FULL-SCALE TEMPLATE



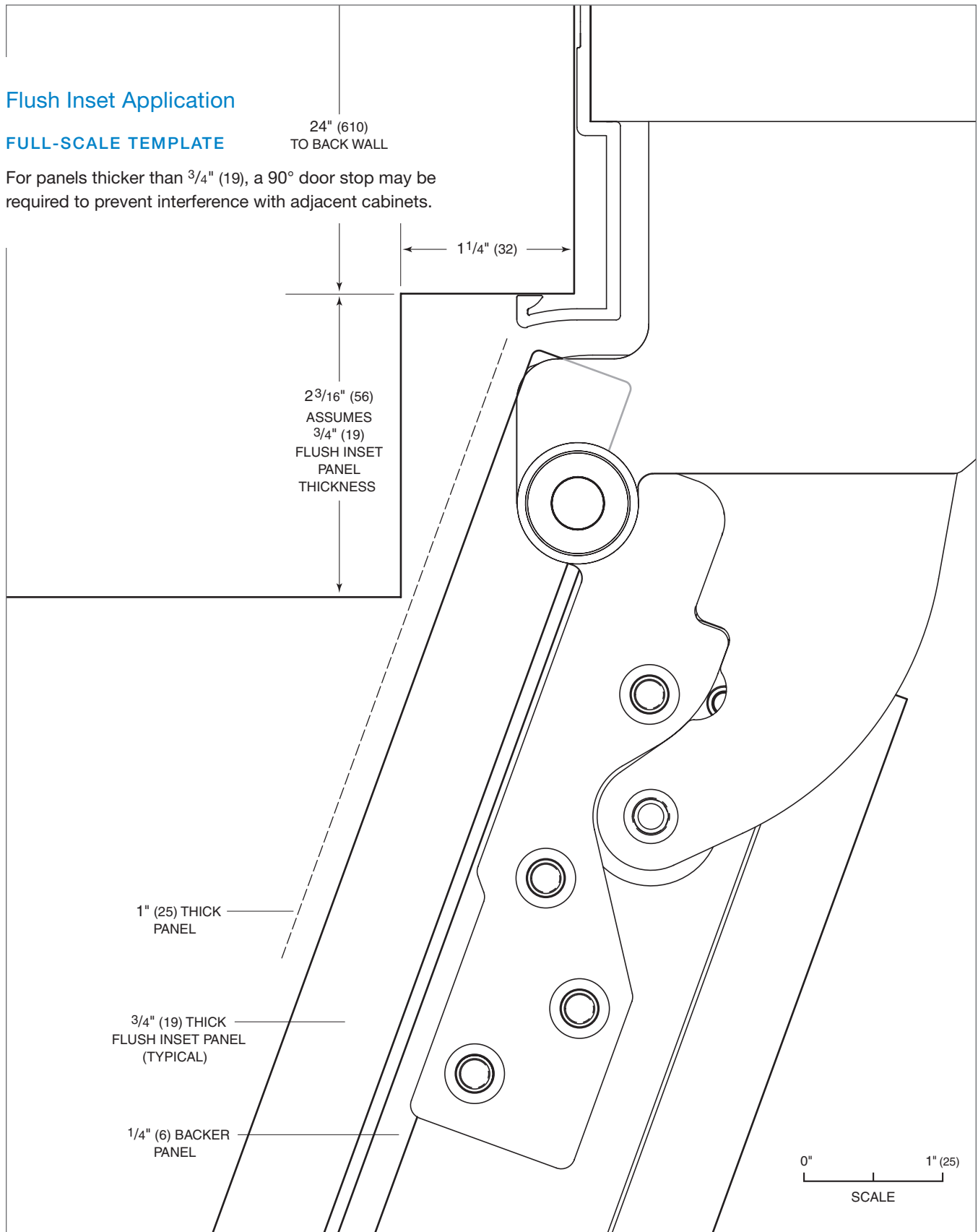
90° door opening (top view).

BUILT-IN
PRO 48
INTEGRATED
WINE
UNDERCOUNTER

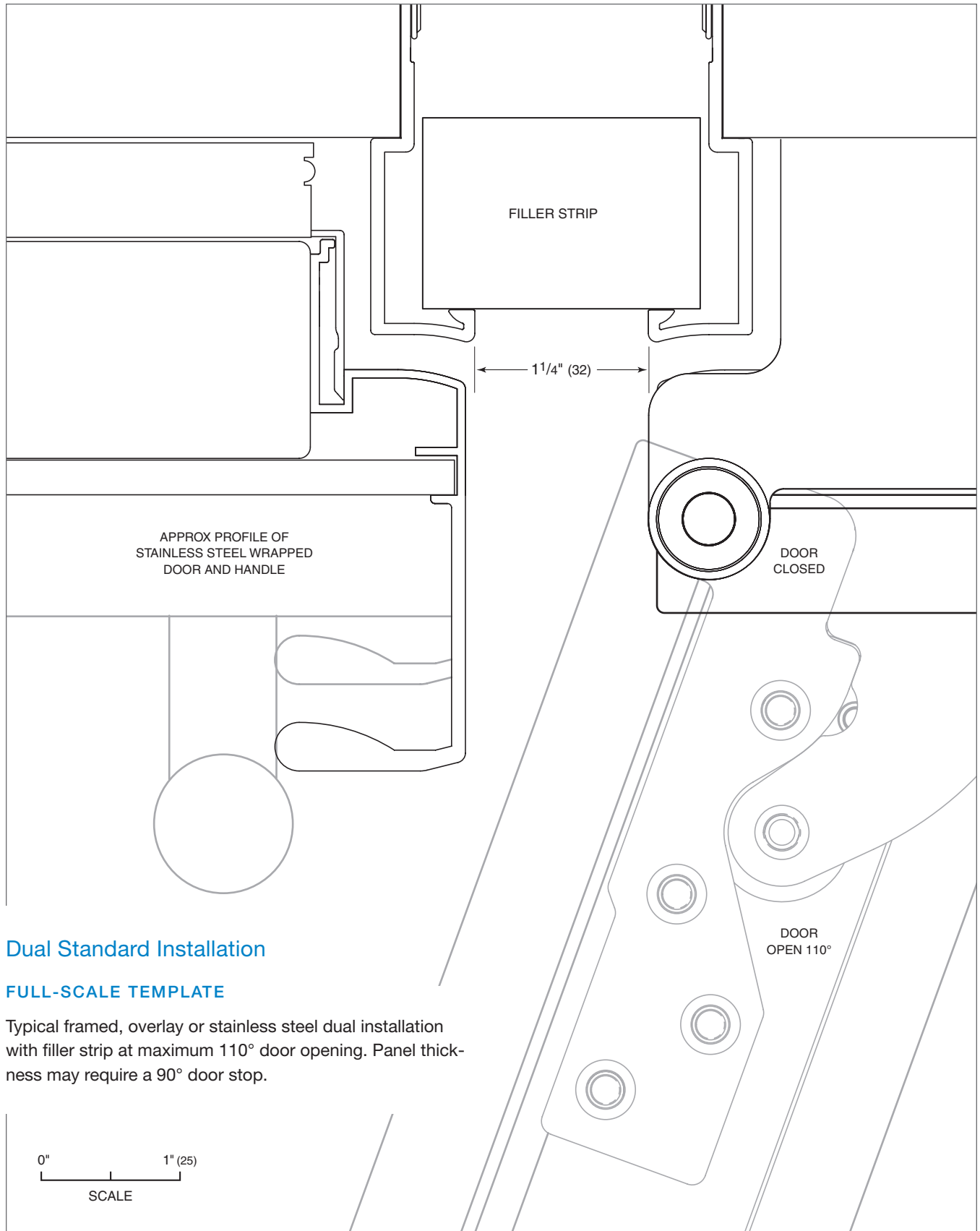
Flush Inset Application

FULL-SCALE TEMPLATE

For panels thicker than 3/4" (19), a 90° door stop may be required to prevent interference with adjacent cabinets.



110° door opening (top view).



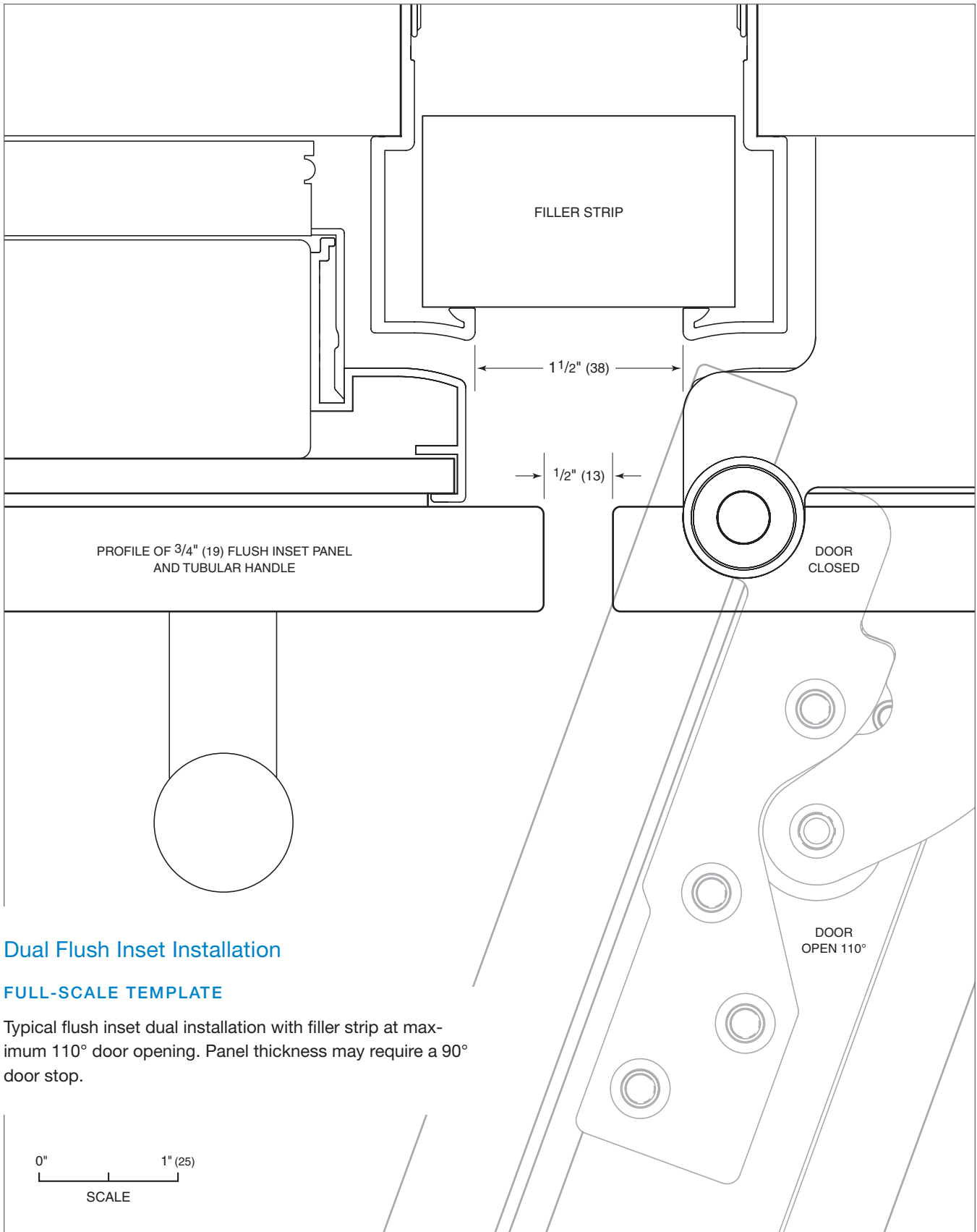
Dual Standard Installation

FULL-SCALE TEMPLATE

Typical framed, overlay or stainless steel dual installation with filler strip at maximum 110° door opening. Panel thickness may require a 90° door stop.



Dual standard installation (top view).



Dual Flush Inset Installation

FULL-SCALE TEMPLATE

Typical flush inset dual installation with filler strip at maximum 110° door opening. Panel thickness may require a 90° door stop.

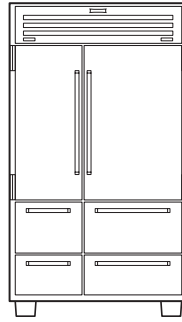
Dual flush inset installation (top view).



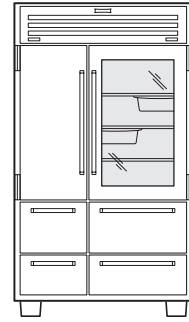
PRO 48 Refrigeration

Freshness finds unmistakable expression in the Sub-Zero PRO 48. An 800-pound monument to food preservation—equal parts sculpted metal design statement and culinary secret weapon. Its vast interior, like its bold exterior, is crafted of stainless steel. The PRO 48 is available with or without a glass door and may be either built in or freestanding.

PRO 48 MODELS



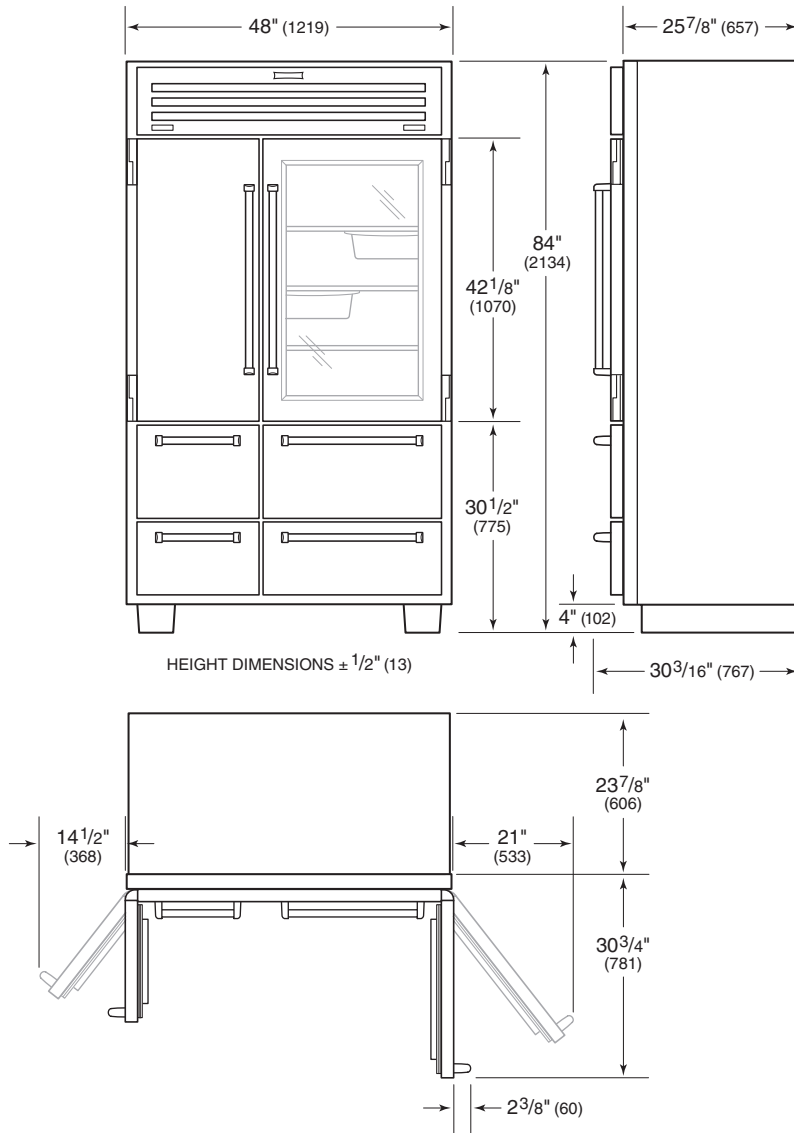
648PRO



648PROG

Overall Dimensions

PRO 48



Model 648PRO, 648PROG.

SPECIFICATIONS

INTERIOR CAPACITY	R CU FT (L)	F CU FT (L)
648PRO	18.4 (521)	11.7 (331)
648PROG	18.4 (521)	11.7 (331)
SHIPPING WEIGHT	LB (KG)	
648PRO	860 (390)	
648PROG	875 (397)	

BUILT-IN

PRO 48

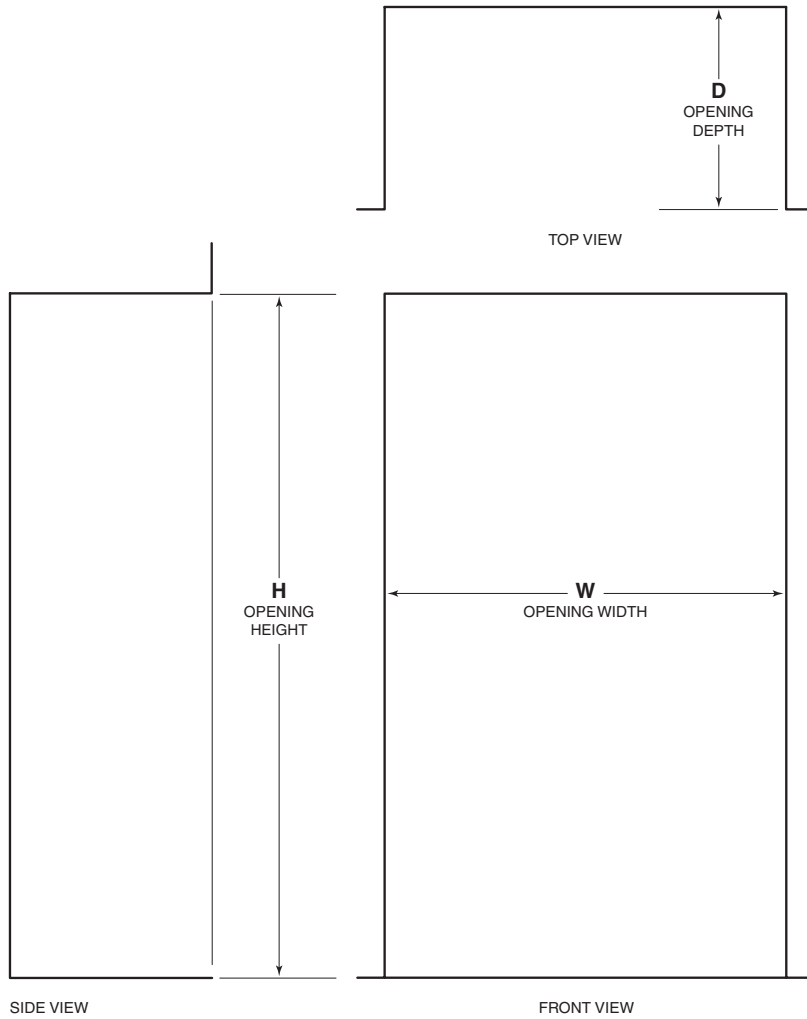
INTEGRATED

WINE

UNDERCOUNTER

Opening Dimensions

STANDARD | FLUSH INSTALLATION



OPENING DIMENSIONS	W	H	D
Standard	47 ¹ / ₂ " (1206)	83 ³ / ₄ " (2127)	24" (610)
Flush	48" (1219)	84 ¹ / ₈ " (2137)	26" (660)

For standard built-in installations, the face frame of the unit will extend 2" (51) beyond cabinetry. For flush installations, the front of the face frame will be flush with surrounding cabinetry.

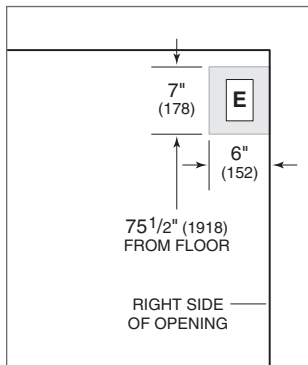
Electrical

The electrical supply should be located within the shaded area shown in the illustration below. A separate circuit, servicing only this appliance is required. A ground fault circuit interrupter (GFCI) is not recommended and may cause interruption of operation.

Installation must comply with all applicable electrical codes.

ELECTRICAL REQUIREMENTS

Electrical Supply	115 VAC, 60 Hz
Service	15 amp
Receptacle	3-prong grounding-type



Electrical supply location.

Plumbing

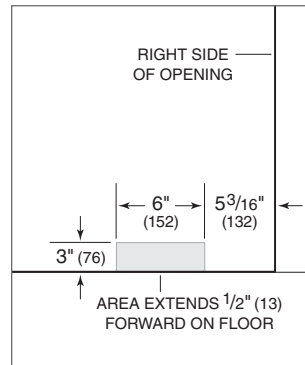
The water supply line should be located within the shaded area shown in the illustration below. The water supply line should be connected to the house supply with an easily accessible shut-off valve. Do not use self-piercing valves. The water supply line must not interfere with installation of the anti-tip bracket.

A reverse osmosis system can be used provided there is constant water pressure of 35–120 psi (2.4–8.3 bar) supplied to the unit at all times. A copper line is not recommended for this application.

Installation must comply with all applicable plumbing codes.

PLUMBING REQUIREMENTS

Water Supply	1/4" OD copper, braided stainless steel or PEX tubing
Pressure	35–120 psi (2.4–8.3 bar)
Excess Line for Connection	36" (914)



Water supply location.

Standard Handles

Optional stainless steel tubular and pro handles are available through an authorized Sub-Zero dealer. For local dealer information, visit the find a showroom section of our website, subzero.com.

Refer to the chart below for standard handle lengths for PRO 48 models.

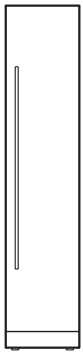
HANDLE LENGTH	TUBULAR	PRO
Door	NA	27 ¹¹ / ₁₆ " (703)
Refrigerator Drawer	NA	19 ¹⁵ / ₁₆ " (506)
Freezer Drawer	NA	11 ⁹ / ₁₆ " (294)



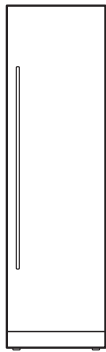
Integrated Refrigeration

With custom front panels and hardware, Sub-Zero invented integrated columns, tall and drawer models that disappear into the decor. Integrated units fit flush with other cabinets, making integrated refrigeration as practical and beautiful in the master suite, bar or theatre room as in the kitchen.

COLUMN MODELS



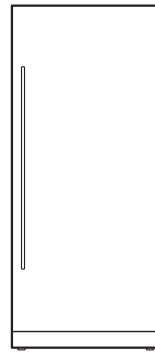
IC-18FI



IC-24R
IC-24FI

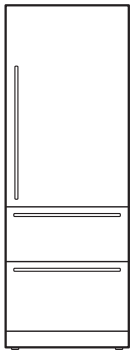


IC-30R(ID)
IC-30FI

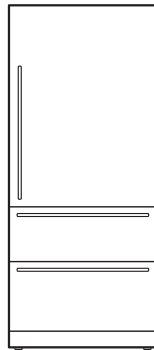


IC-36R(ID)
IC-36FI

TALL MODELS

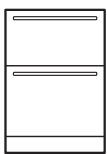


IT-30R(ID)
IT-30FI
IT-30CI(ID)

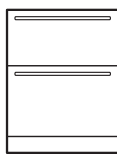


IT-36R(ID)
IT-36CI(ID)

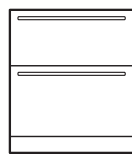
DRAWER MODELS



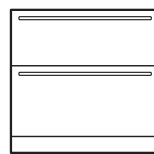
ID-24R
ID-24F(I)



ID-27R



ID-30R(P)
ID-30F(I)
ID-30C(I)



ID-36R(P)
ID-36C(I)

Specifications

INTERIOR CAPACITY—CU FT (L)

COLUMN	REFR	FRZR
IC-18FI		8.4 (238)
IC-24R	12.9 (365)	
IC-24FI		12.3 (348)
IC-30R(ID)	17.3 (490)	
IC-30FI		15.3 (433)
IC-36R(ID)	21.4 (606)	
IC-36FI		20.0 (566)
TALL	REFR	FRZR
IT-30R(ID)	16.5 (467)	
IT-30FI		15.1 (428)
IT-30C(ID)	10.6 (300)	5.0 (142)
IT-36R(ID)	20.5 (580)	
IT-36C(ID)	13.3 (377)	6.4 (181)
DRAWER	REFR	FRZR
ID-24R	4.0 (113)	
ID-24F(I)		3.8 (108)
ID-27R	4.6 (130)	
ID-30R(P)	5.2 (147)	
ID-30F(I)		4.9 (139)
ID-30C(I)	3.0 (85)	2.0 (57)
ID-36R(P)	6.6 (187)	
ID-36C(I)	3.4 (96)	2.5 (71)

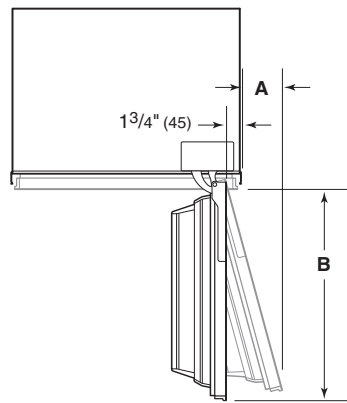
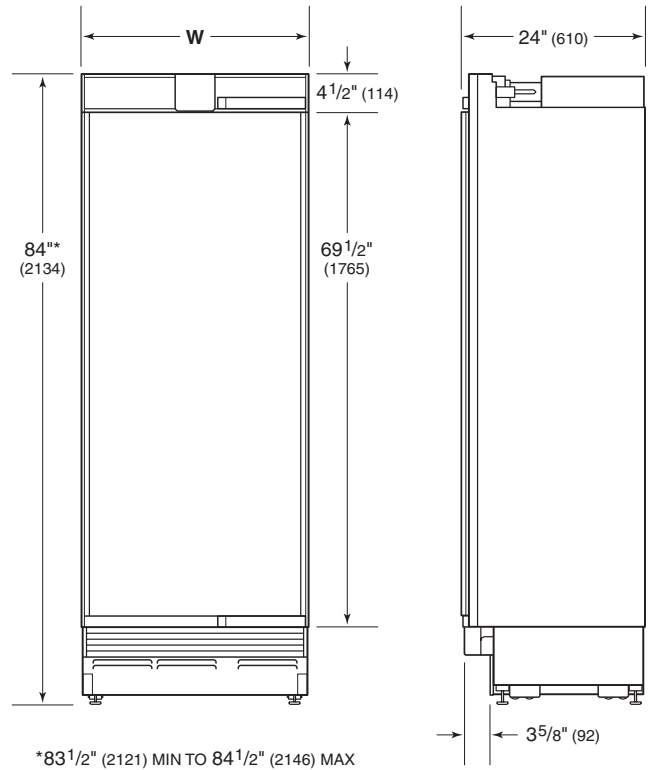
SHIPPING WEIGHT

COLUMN	LB (KG)
18" Column	260 (118)
24" Column	340 (154)
30" Column	400 (181)
36" Column	440 (200)
TALL	LB (KG)
30" Tall	400 (181)
36" Tall	460 (209)
DRAWER	LB (KG)
24" Drawer	170 (77)
27" Drawer	190 (86)
30" Drawer	210 (95)
36" Drawer	250 (113)

IMPORTANT NOTE: Overall dimensions do not include panels or handles. Dimensions will vary with panel thickness.

Overall Dimensions

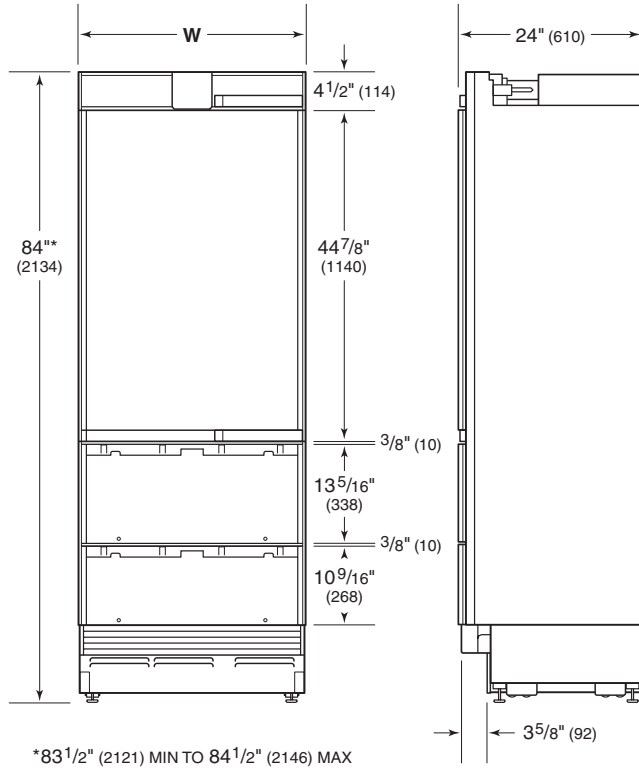
COLUMN



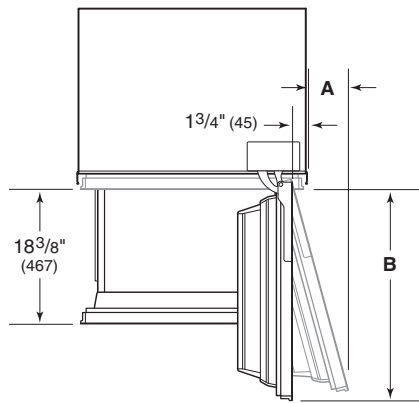
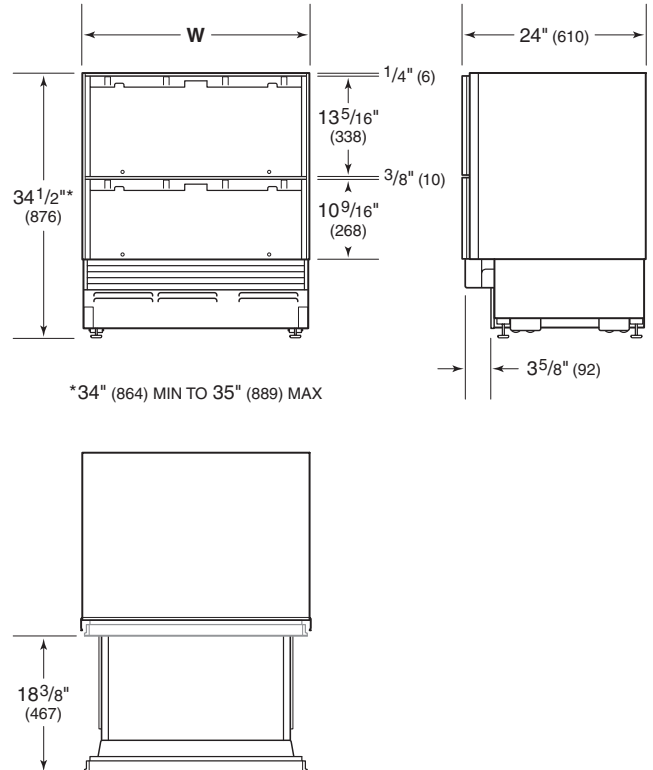
COLUMN	W	A	B
18" Column	18" (457)	2 1/2" (64)	16 1/2" (419)
24" Column	24" (610)	4" (102)	22 1/2" (572)
30" Column	30" (762)	5 5/8" (143)	28 1/2" (724)
36" Column	36" (914)	7 1/4" (184)	34 1/2" (876)

Overall Dimensions

TALL



DRAWER



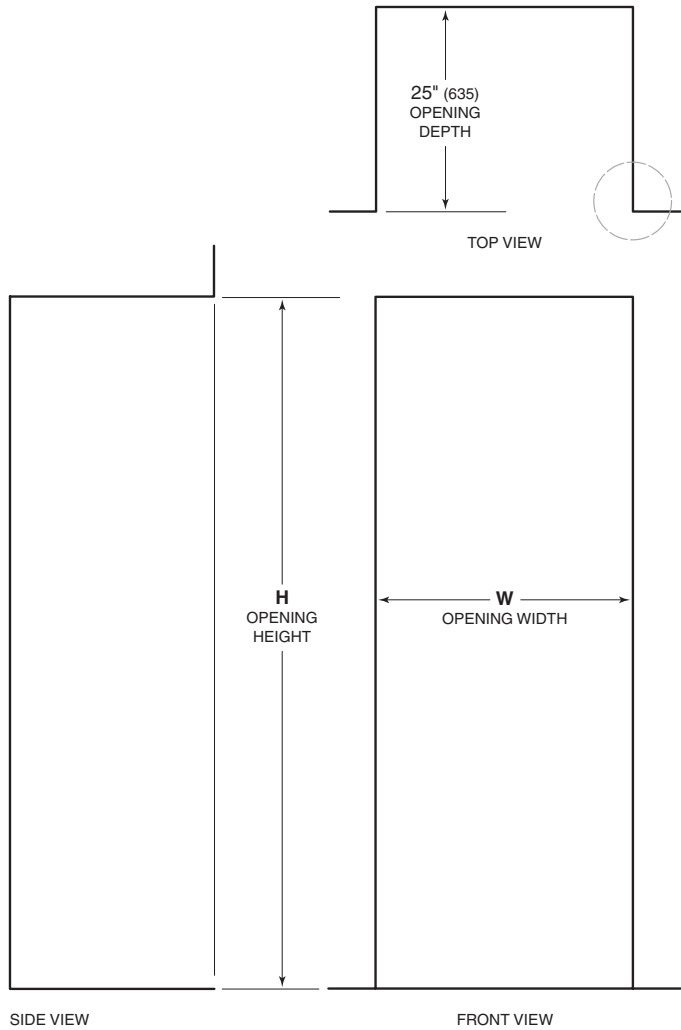
DRAWER

DRAWER	W
24" Drawer	24" (610)
27" Drawer	27" (686)
30" Drawer	30" (762)
36" Drawer	36" (914)

TALL	W	A	B
30" Tall	30" (762)	5 5/8" (143)	28 1/2" (724)
36" Tall	36" (914)	7 1/4" (184)	34 1/2" (876)

Opening Dimensions

INTEGRATED



OPENING DIMENSIONS

COLUMN TALL	W	H
18" Column	18" (457)	84" (2134)
24" Column	24" (610)	84" (2134)
30" Column Tall	30" (762)	84" (2134)
36" Column Tall	36" (914)	84" (2134)
DRAWER	W	H
24" Drawer	24" (610)	34 1/2" (876)
27" Drawer	27" (686)	34 1/2" (876)
30" Drawer	30" (762)	34 1/2" (876)
36" Drawer	36" (914)	34 1/2" (876)

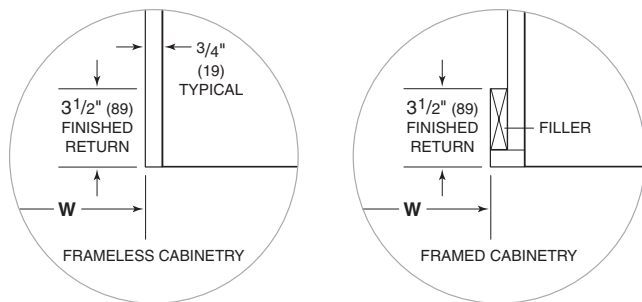
The depth of each integrated model is 24" (610). Allow for panel thickness when planning the finished opening depth. A minimum 3 1/2" (89) finished return is required on all sides of the opening. Framed cabinets will require additional finished filler material behind the face frame for a proper installation. Refer to the illustration.

DUAL INSTALLATION

When installing two units side by side in a dual installation, the opening width is the width of the two units added together. A dual installation kit will be required for this installation. If a dual installation kit is not specified, a minimum 2" (51) filler strip is required between units.

Dual installation kits are available through an authorized Sub-Zero dealer. For local dealer information, visit the find a showroom section of our website, subzero.com. For questions regarding the installation, call Sub-Zero customer care at 800-222-7820.

NOTE: 3 1/2" (89) finished returns will be visible and should be finished to match cabinetry.



Electrical

The electrical supply must be located within the shaded area shown in the illustration and chart below. A separate circuit, servicing only this appliance is required. A ground fault circuit interrupter (GFCI) is not recommended and may cause interruption of operation.

The electrical outlet must be positioned with the grounding prong to the right of the thinner blades.

Installation must comply with all applicable electrical codes.

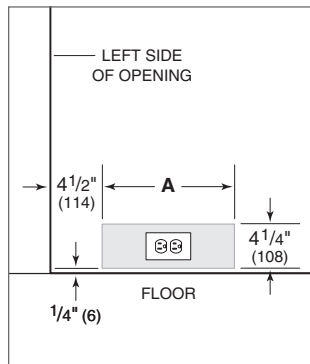
ELECTRICAL REQUIREMENTS

Electrical Supply	115 VAC, 60 Hz
Service	15 amp
Receptacle	3-prong grounding-type

ELECTRICAL SUPPLY LOCATION

A

18" Model	6" (152)
24" Model	9 1/2" (241)
27" Model	11" (279)
30" Model	12 1/2" (318)
36" Model	15 1/2" (394)



Electrical supply location.

Plumbing

The water supply line should be located within the shaded area shown in the illustration below. The water supply line should be connected to the house supply with an easily accessible shut-off valve. Do not use self-piercing valves. The water supply line must not interfere with installation of the anti-tip bracket.

A reverse osmosis system can be used provided there is constant water pressure of 35–120 psi (2.4–8.3 bar) supplied to the unit at all times. A copper line is not recommended for this application.

Installation must comply with all applicable plumbing codes.

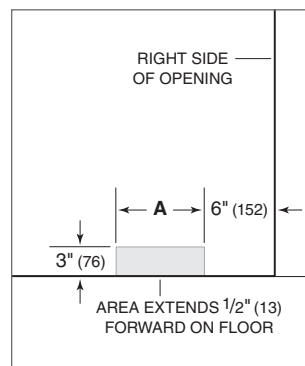
PLUMBING REQUIREMENTS

Water Supply	1/4" OD copper, braided stainless steel or PEX tubing
Pressure	35–120 psi (2.4–8.3 bar)
Excess Line for Connection	36" (914)

WATER SUPPLY LOCATION

A

18" Model	3" (76)
24" Model	5 1/2" (140)
30" Model	6" (152)
36" Model	9" (229)



Water supply location.

Custom Panels

For integrated models, custom door panels and handle hardware must be provided. Refer to the panel requirements chart and typical panel dimensions.

The thickness of the custom panel can vary. A minimum 5/8" (16) thick panel is required, but the thickness can be increased provided it does not exceed the weight limit. The depth of each integrated model is 24" (610). Allow for panel thickness when planning the finished opening depth. Refer to the full-scale template on page 55.

CAUTION
As reveals between cabinetry and the unit decrease, severe finger pinching can occur while door is closing.

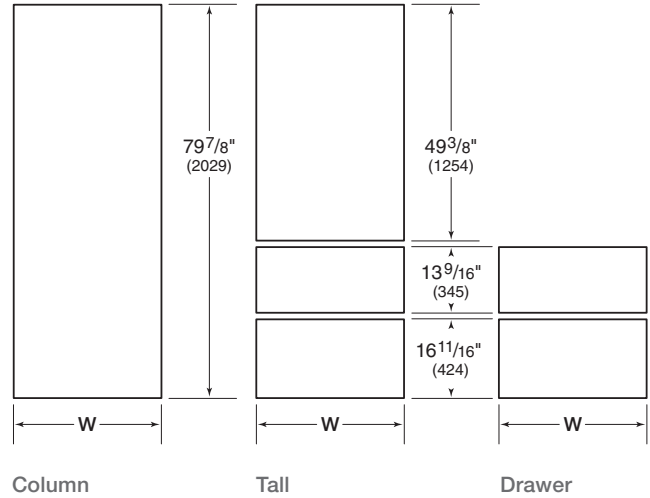
Finish all sides of custom panels. They will be visible when the door/drawer is open.

D-style handles are recommended. Door handles must be located near the edge of the panel opposite the hinge and should be centered top to bottom. Drawer handles must be located near the top edge of each panel. Stainless steel tubular and pro handles are available through an authorized Sub-Zero dealer. For local dealer information, visit the find a showroom section of our website, subzero.com.

PANEL REQUIREMENTS

WEIGHT PER PANEL	MAX
18" Column	45 lb (20 kg)
24" Column	60 lb (27 kg)
30" Column	75 lb (34 kg)
36" Column	75 lb (34 kg)
WEIGHT PER PANEL	MAX
30" Tall (door)	50 lb (22 kg)
36" Tall (door)	60 lb (27 kg)
Drawer	15 lb (7 kg)
PANEL THICKNESS	MIN
All Panels	5/8" (16)

TYPICAL PANEL DIMENSIONS



Typical panel dimensions are based on an 84" (2134) finished height for column and tall models and 34 1/2" (876) for drawer models, with a 4" (102) toe kick and 1/8" (3) reveals. Panel dimensions must be adjusted accordingly for all other installations. Refer to the illustration for panel heights and the chart below for panel widths.

PANEL WIDTH

	W
18" Model	17 ³ / ₄ " (451)
24" Model	23 ³ / ₄ " (603)
27" Model	26 ³ / ₄ " (679)
30" Model	29 ³ / ₄ " (756)
36" Model	35 ³ / ₄ " (908)

DUAL INSTALLATION

For dual installations, refer to the illustration for panel heights and the chart below for panel widths.

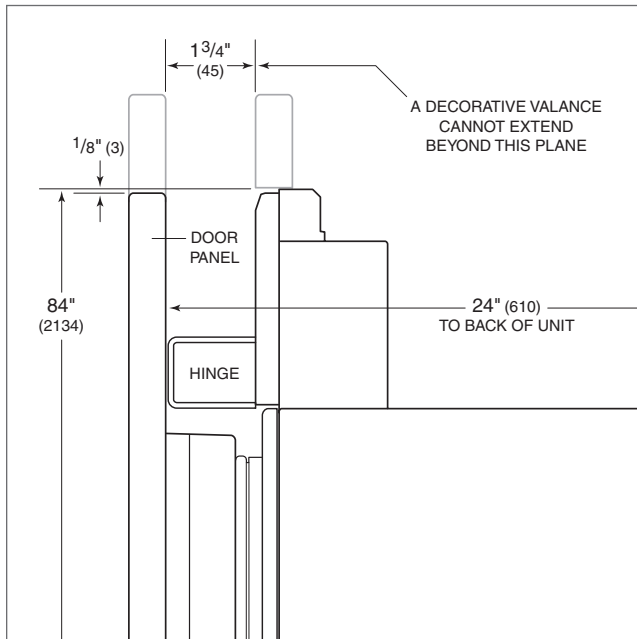
PANEL WIDTH

	W
18" Model	17 ¹³ / ₁₆ " (452)
24" Model	23 ¹³ / ₁₆ " (605)
27" Model	26 ¹³ / ₁₆ " (681)
30" Model	29 ¹³ / ₁₆ " (757)
36" Model	35 ¹³ / ₁₆ " (910)

Custom Panels

DOOR PANEL HEIGHT

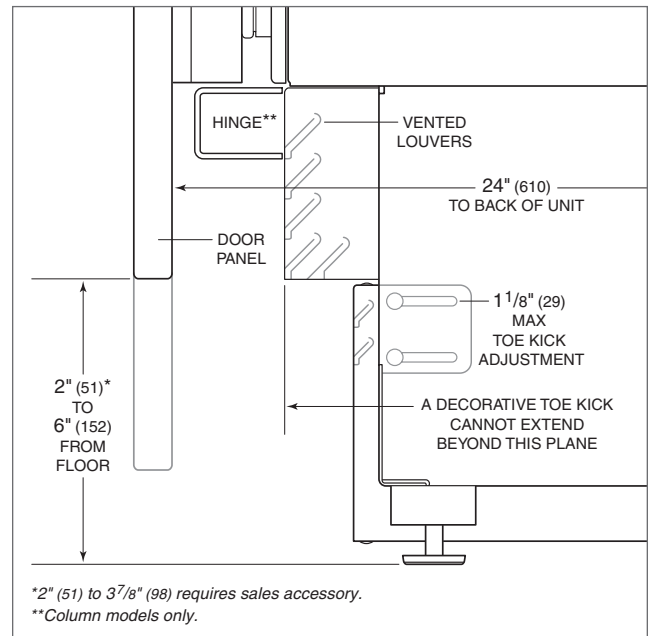
The height of the custom door panel can extend beyond the typical panel height, provided it does not exceed the weight limit. Refer to the illustration below.



Upper valance—column and tall (side view).

TOE KICK CLEARANCE

The height of the toe kick area can extend beyond the typical toe kick height, provided it does not exceed the dimensions in the illustration below. Toe kick heights from 2" (51) to 3 7/8" (98) require a reduced toe kick accessory available through an authorized Sub-Zero dealer. For local dealer information, visit the find a showroom section of our website, subzero.com. For questions regarding the installation, call Sub-Zero customer care at 800-222-7820.



Toe kick (side view).

Standard Handles

Optional stainless steel tubular and pro handles are available through an authorized Sub-Zero dealer. For local dealer information, visit the find a showroom section of our website, subzero.com.

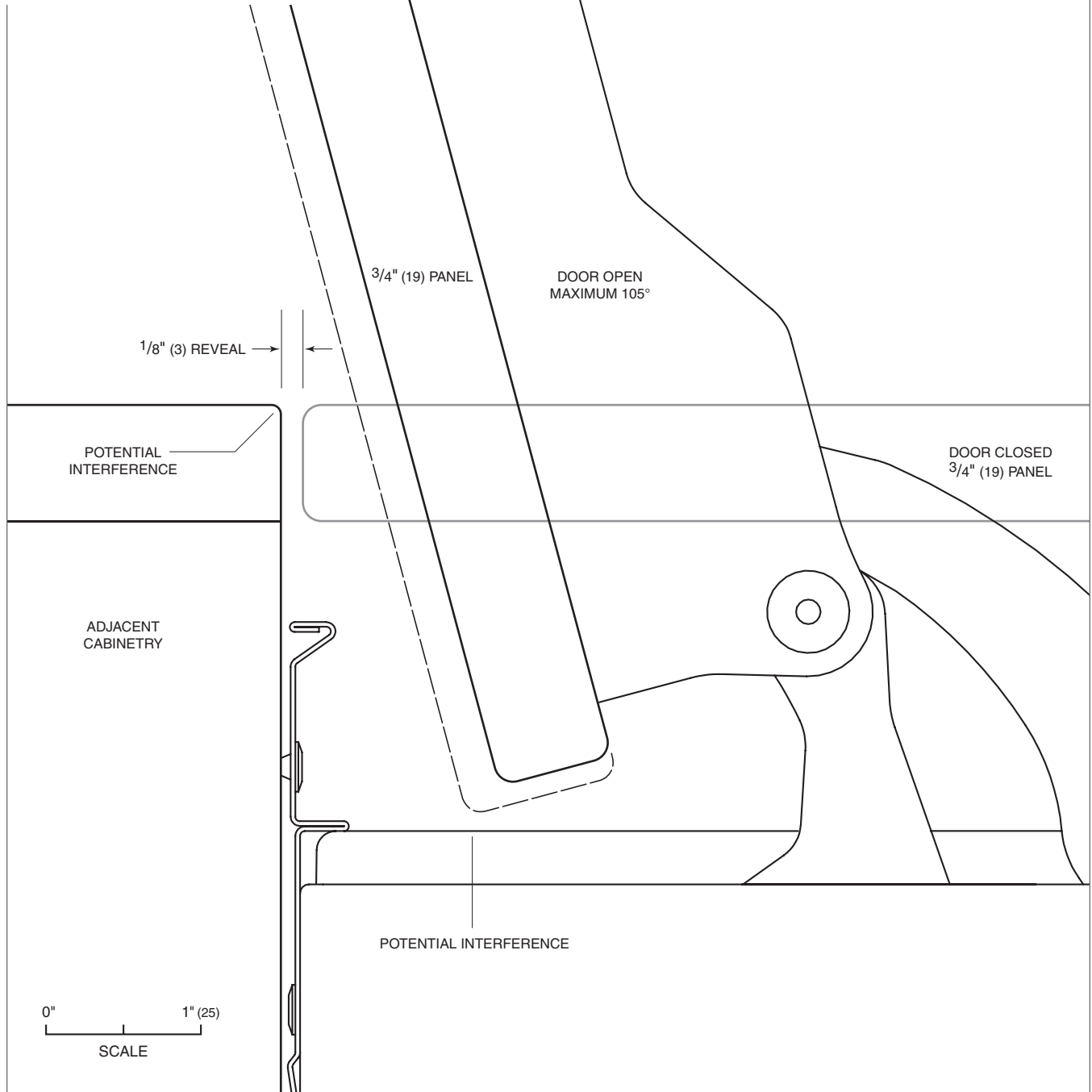
Refer to the chart below for standard handle lengths for integrated models.

HANDLE LENGTH	TUBULAR	PRO
Column Door	50 ¹ / ₈ " (1273)	48 ³ / ₈ " (1229)
Tall Door	33 ¹ / ₄ " (845)	31 ¹ / ₂ " (800)
24" Drawer	21 ¹ / ₄ " (540)	19 ¹ / ₂ " (495)
27" Drawer	24 ¹ / ₄ " (616)	22 ¹ / ₂ " (572)
30" Drawer	27 ¹ / ₄ " (692)	25 ¹ / ₂ " (648)
36" Drawer	33 ¹ / ₄ " (845)	31 ¹ / ₂ " (800)

Maximum Door Opening

FULL-SCALE TEMPLATE

As the panel width and/or depth increases, so does the potential for panel interference. Interference may be minimized by utilizing the 90° door stop.



Maximum door opening (top view).



Wine Storage

Wine finds a well-deserved place of honor in a Sub-Zero wine storage unit. Every detail is designed to ensure better wine preservation. Cherrywood-faced racks, soft lighting, custom cabinetry if desired—Sub-Zero helps make a wine collection an element of beauty in the home.

WINE STORAGE MODELS



424G



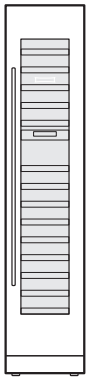
UW-24



424FSG



UW-24FS



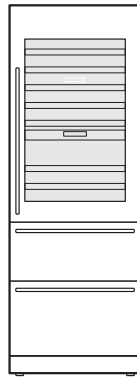
IW-18



IW-24



IW-30



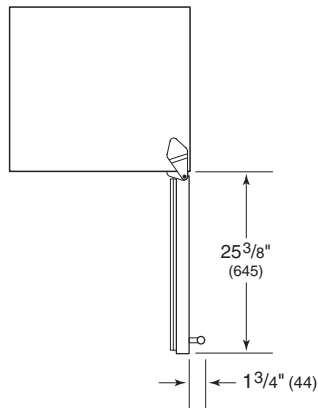
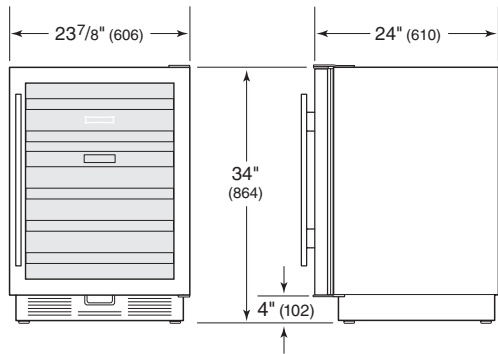
IW-30R



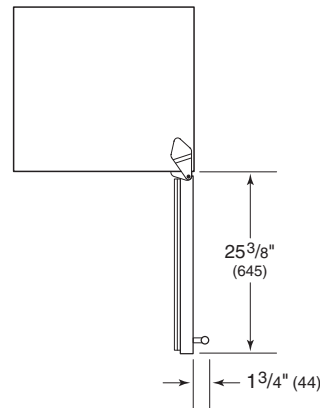
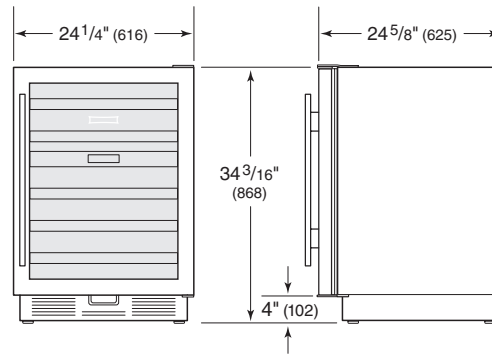
WS-30

Overall Dimensions

MODEL 424G | UW-24



MODEL 424FSG | UW-24FS



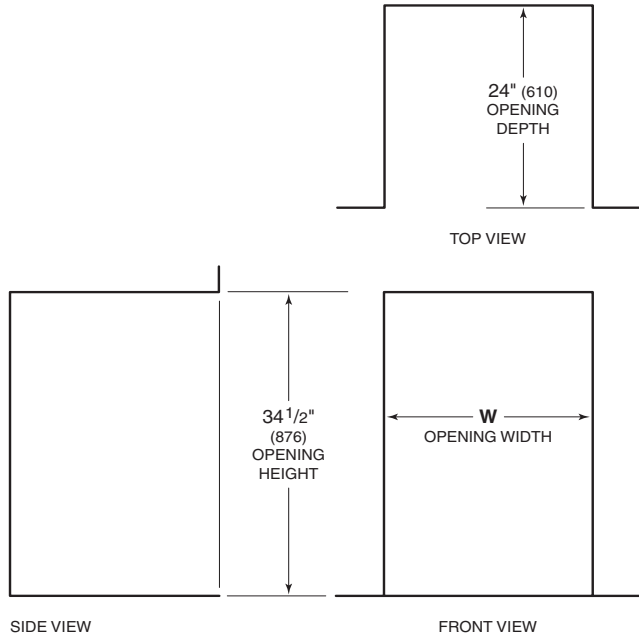
SPECIFICATIONS

STORAGE CAPACITY	BOTTLES (750 ML)
424G, UW-24	46
424FSG, UW-24FS	46
SHIPPING WEIGHT	LB (KG)
424G, UW-24	195 (88)
424FSG, UW-24FS	220 (100)

Overall dimensions for models 424G and UW-24 are based on the stainless steel models. Refer to page 79 for door clearance information. Freestanding models 424FSG and UW-24FS have a finished stainless steel exterior and handle.

Opening Dimensions

MODEL 424G | UW-24



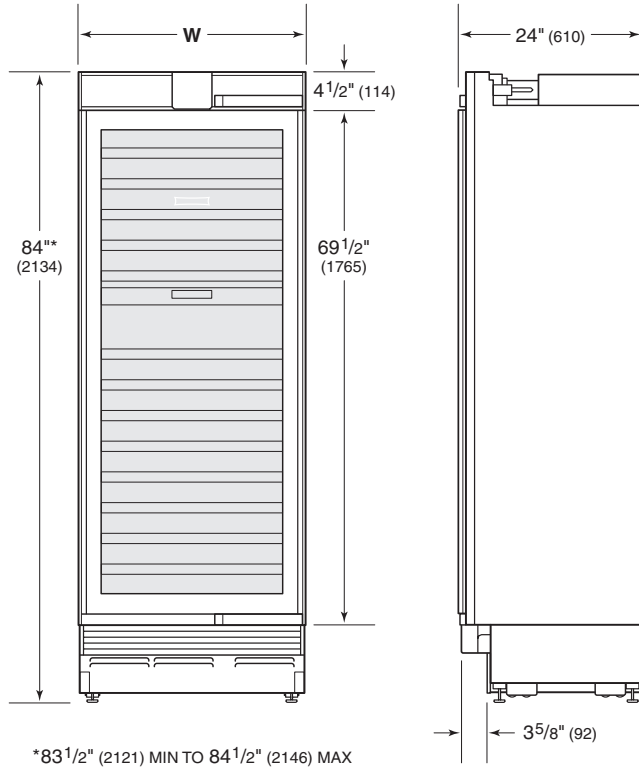
OPENING WIDTH	W
424G, UW-24	24" (610)

DUAL OPENING WIDTH	W
Two 24" Models	48 1/8" (1222)

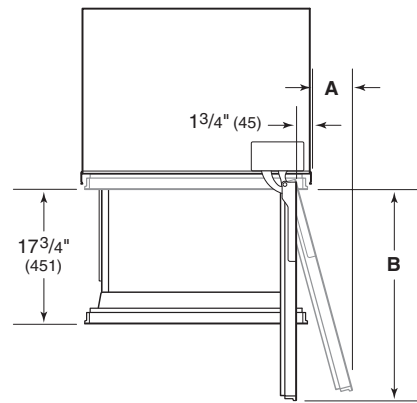
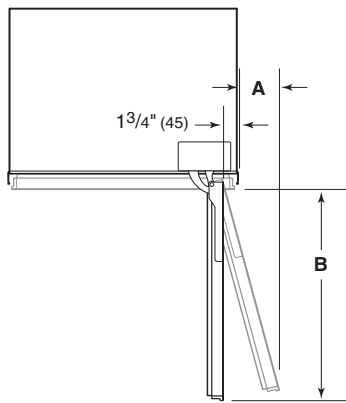
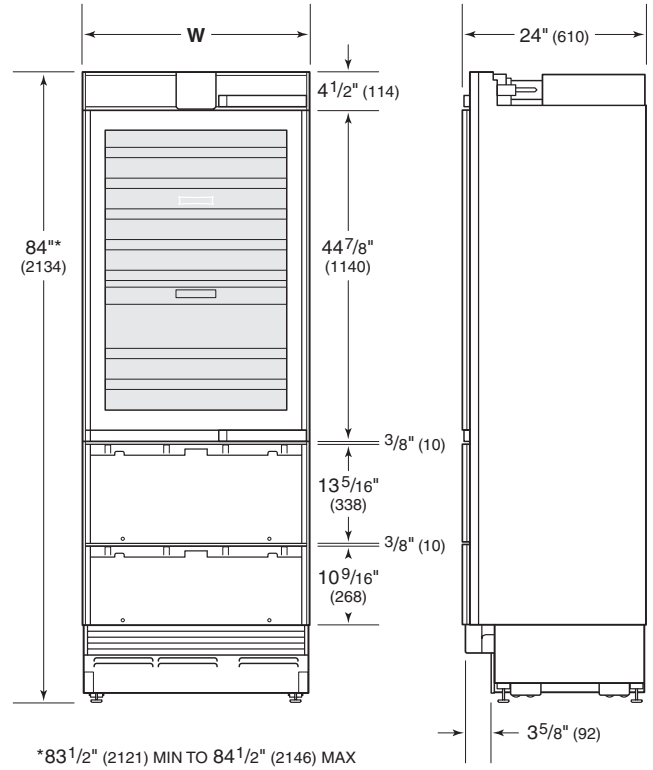
Dual installation kit required.

Overall Dimensions

COLUMN



TALL



COLUMN	W	A	B
IW-18	18" (457)	2 1/2" (64)	16 1/2" (419)
IW-24	24" (610)	4" (102)	22 1/2" (572)
IW-30	30" (762)	5 5/8" (143)	28 1/2" (724)

TALL	W	A	B
IW-30R	30" (762)	5 5/8" (143)	28 1/2" (724)

IMPORTANT NOTE: Overall dimensions do not include panels or handles. Dimensions will vary with panel thickness.

Specifications

STORAGE CAPACITY

COLUMN		BTLS*
IW-18		59
IW-24		102
IW-30		146
TALL	REFR	BTLS*
IW-30R	4.0 cu ft (113 L)	86

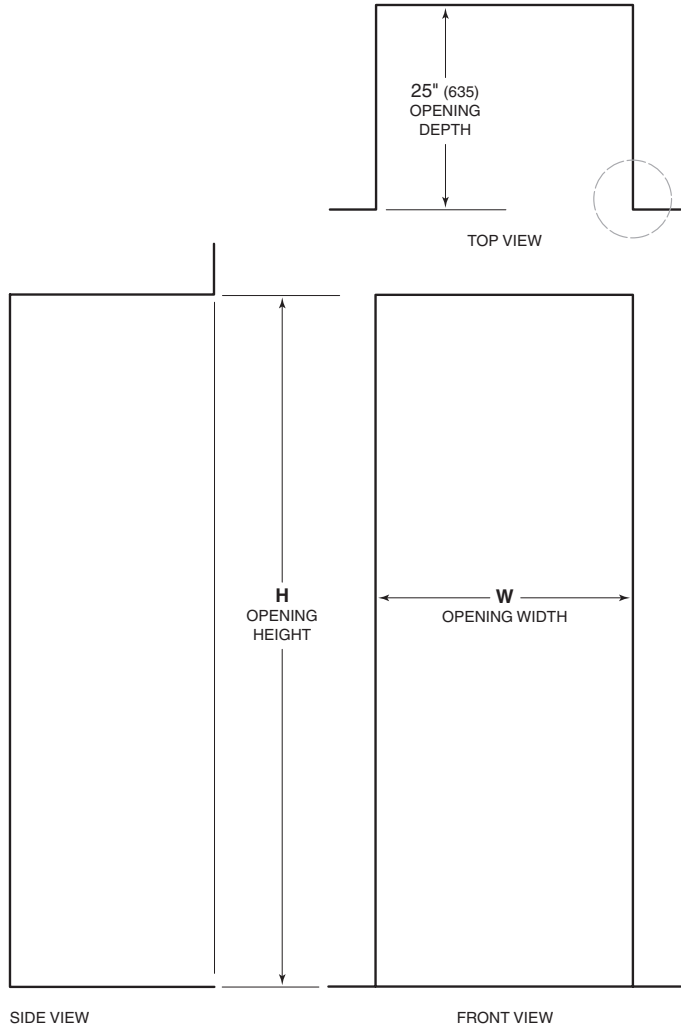
*750 ml bottles.

SHIPPING WEIGHT

COLUMN		LB (KG)
IW-18		350 (159)
IW-24		410 (186)
IW-30		460 (209)
TALL		LB (KG)
IW-30R		490 (222)

Opening Dimensions

INTEGRATED WINE STORAGE



OPENING DIMENSIONS

	W	H
18" Column	18" (457)	84" (2134)
24" Column	24" (610)	84" (2134)
30" Column Tall	30" (762)	84" (2134)

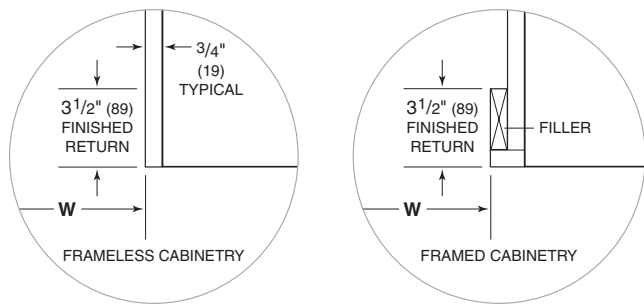
The depth of each integrated (IW) model is 24" (610). Allow for panel thickness when planning the finished opening depth. A minimum 3 1/2" (89) finished return is required on all sides of the opening. Framed cabinets will require additional finished filler material behind the face frame for a proper installation. Refer to the illustration.

DUAL INSTALLATION

The unit can be installed next to an integrated refrigeration model or another integrated wine storage model in a dual installation. When installing two units side by side, the opening width is the width of the two units added together. A dual installation kit will be required for this installation. If a dual installation kit is not specified, a minimum 2" (51) filler strip is required between units.

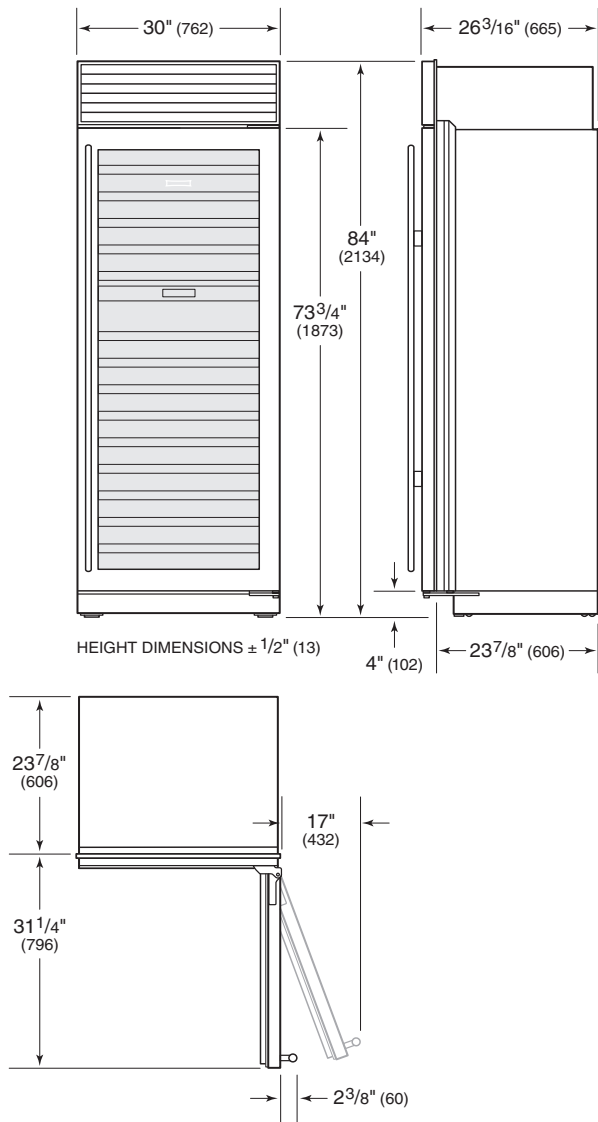
Dual installation kits are available through an authorized Sub-Zero dealer. For local dealer information, visit the find a showroom section of our website, subzero.com. For questions regarding the installation, call Sub-Zero customer care at 800-222-7820.

NOTE: 3 1/2" (89) finished returns will be visible and should be finished to match cabinetry.



Overall Dimensions

MODEL WS-30



SPECIFICATIONS

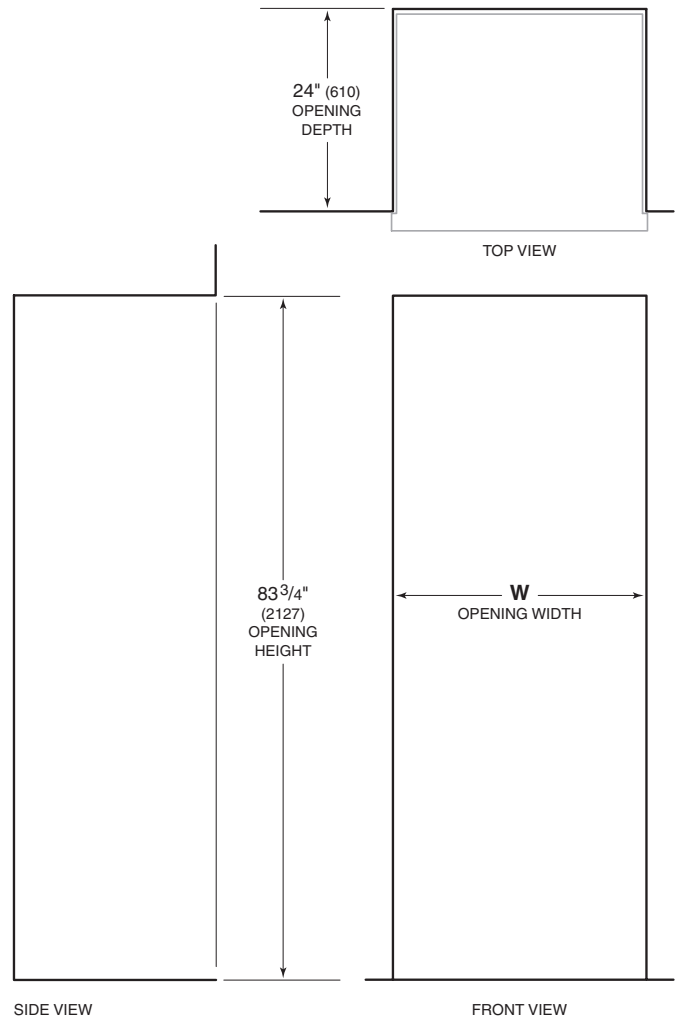
STORAGE CAPACITY	BTLS*
WS-30	147
SHIPPING WEIGHT	LB (KG)
WS-30	445 (202)

*750 ml bottles.

Overall dimensions are based on the stainless steel model. For flush inset applications, add 1/2" (13) to door clearance dimensions.

Opening Dimensions

MODEL WS-30 STANDARD INSTALLATION



NOTE: Shaded line represents profile of unit.

OPENING WIDTH

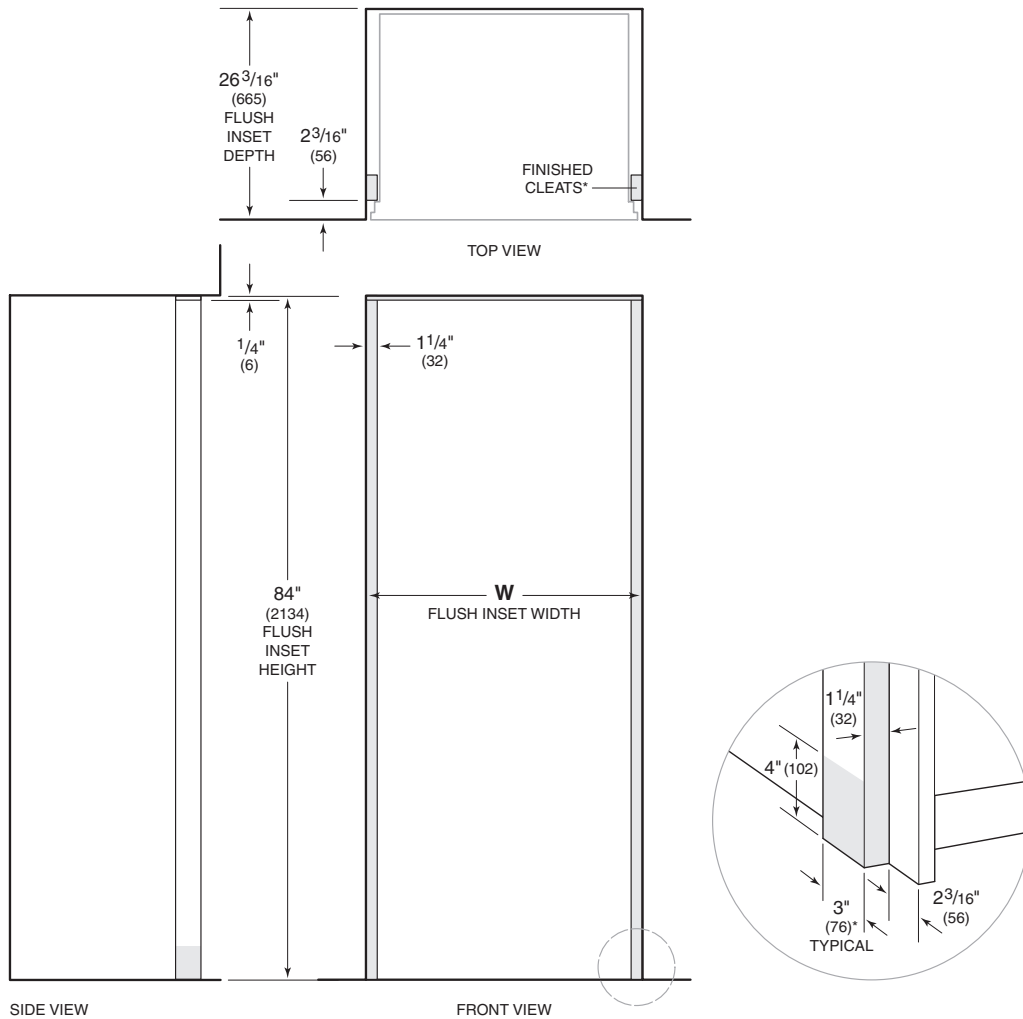
	W
WS-30	29 1/2" (749)

If an 83" (2108) grille height is specified, the opening height must be decreased by 7/8" (22). If an 88" (2235) grille height is specified, the opening height must be increased by 4" (102).

If two units are installed side by side, refer to page 65 for dual standard installations.

Opening Dimensions

MODEL WS-30 FLUSH INSET INSTALLATION



*3" (76) typical depth. Shaded areas will be visible and should be finished to match cabinetry.
 NOTE: Shaded line represents profile of unit with 3/4" (19) panel.

OPENING WIDTH	W
WS-30	32" (813)

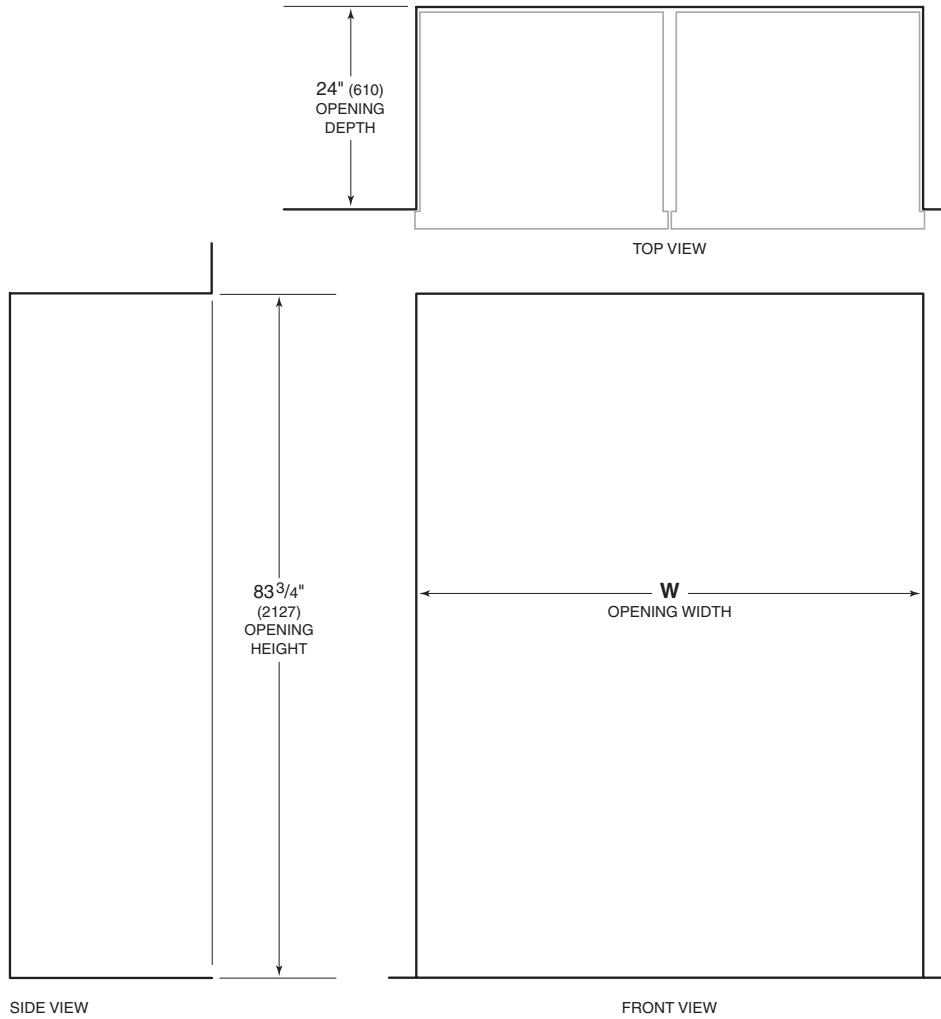
Dimensions assume a 3/4" (19) panel thickness.

If an 83" (2108) grille height is specified, the flush inset height must be decreased by 7/8" (22). If an 88" (2235) grille height is specified, the flush inset height must be increased by 4" (102).

If two units are installed side by side, refer to page 66 for dual flush inset installations.

Opening Dimensions

MODEL WS-30 DUAL STANDARD INSTALLATION



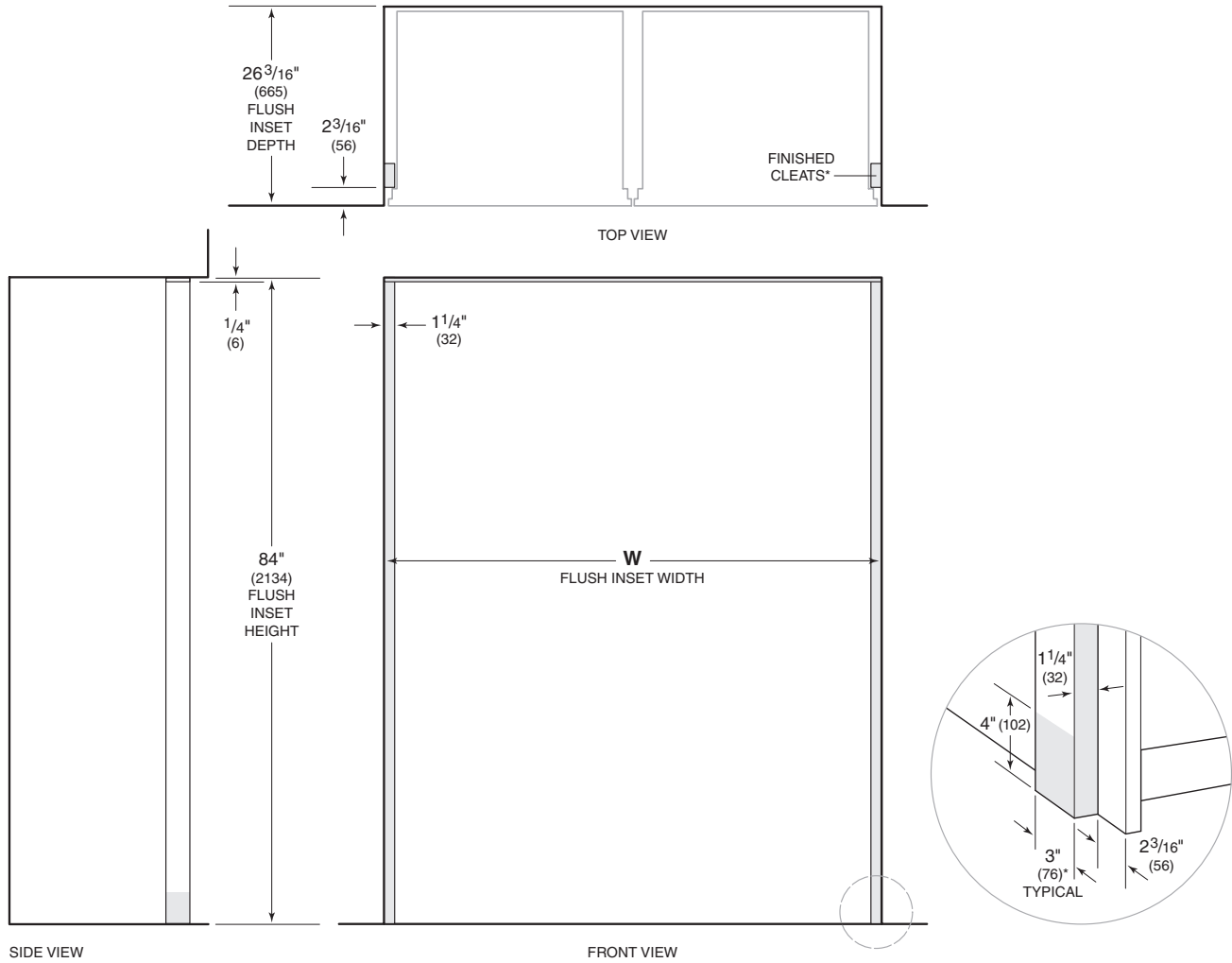
NOTE: Shaded line represents profile of unit.

OPENING WIDTH	W
WS-30 and 30" Built-In	59 3/4" (1518)
WS-30 and 36" Built-In	65 3/4" (1670)

A dual installation kit will be required for this installation.

Opening Dimensions

MODEL WS-30 DUAL FLUSH INSET INSTALLATION



*3" (76) typical depth. Shaded areas will be visible and should be finished to match cabinetry.
NOTE: Shaded line represents profile of unit with 3/4" (19) panel.

OPENING WIDTH	W
WS-30 and 30" Built-In	62 ¹ / ₄ " (1581)
WS-30 and 36" Built-In	68 ¹ / ₄ " (1734)

Dimensions assume a 3/4" (19) panel thickness. A dual installation kit will be required for this installation.

Electrical

The electrical supply must be located within the shaded area shown in the illustration for your specific model. For integrated (IW) models, also refer to the chart. A separate circuit, servicing only this appliance is required. A ground fault circuit interrupter (GFCI) is not recommended and may cause interruption of operation.

If the unit will be connected to a home security system, allow 36" (914) of excess wiring for proper connection.

IMPORTANT NOTE: For integrated (IW) models, the electrical outlet must be positioned with the grounding prong to the right of the thinner blades.

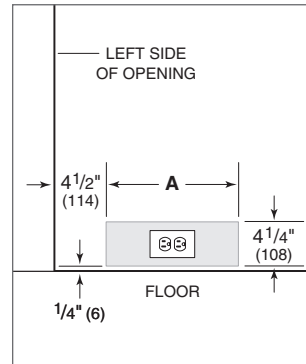
Installation must comply with all applicable electrical codes.

ELECTRICAL REQUIREMENTS

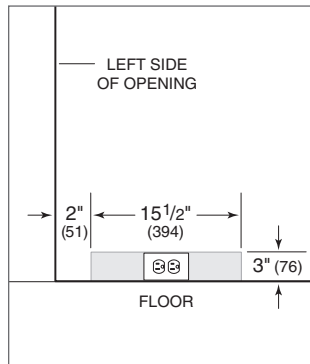
Electrical Supply	115 VAC, 60 Hz
Service	15 amp
Receptacle	3-prong grounding-type

ELECTRICAL SUPPLY LOCATION

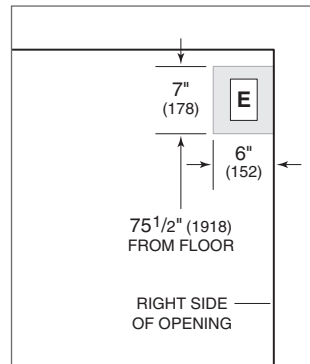
	A
18" Model	6" (152)
24" Model	9 1/2" (241)
30" Model	12 1/2" (318)



Integrated models.



Model 424G, UW-24.



Model WS-30.

Custom Panels

For framed, overlay, integrated and flush inset applications, a custom door panel must be provided. Handle hardware must also be provided for overlay, integrated and flush inset applications. Refer to panel requirements and custom panel dimensions charts for your specific model and design application.

Do not install a solid panel on a glass door unit. A solid door is available as a sales accessory (except model WS-30) and must be installed if a solid panel is being specified. Service may be required to install the door. Contact an authorized Sub-Zero dealer for more information. Overall dimensions are the same for glass and solid door panels.

Finish all sides of the custom panels. They may be visible when the door is open or through the window of glass door models.

Models 424FSG and UW-24FS have a finished stainless steel exterior that is designed to be used in a freestanding application.

Custom Panel—424G | UW-24

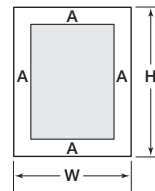
For models 424G and UW-24, the custom door panel will attach directly to the door frame with screws through a series of pre-drilled holes.

Refer to the charts for panel requirements and dimensions.

PANEL REQUIREMENTS

WEIGHT PER PANEL	MAX
424G, UW-24	10 lb (5 kg)
PANEL THICKNESS	MIN
424G, UW-24	5/8" (16)

OVERLAY PANEL DIMENSIONS



424G, UW-24

PANEL DIMENSIONS

PANEL	W	H
424G, UW-24	23 ³ / ₄ " (603)	30 ¹ / ₁₆ " (764)
STILES RAILS	A	
Minimum	2 ¹ / ₄ " (57)	

DOOR CLEARANCE

Models 424G and UW-24 can be installed flush with surrounding cabinetry. Depending on the thickness of the overlay door panel, it may be necessary to install the unit 1/4" (6) beyond the front surface of adjacent cabinetry to prevent interference when the door is opened to 145°. Refer to the full-scale template on page 79.

Custom Panel—Integrated

For integrated (IW) models, a custom door panel and handle hardware must be provided. Refer to the panel requirements chart and typical panel dimensions.

Do not install a solid panel on the glass door unit. A solid door is available as a sales accessory through an authorized Sub-Zero dealer.

The thickness of the custom panel can vary. A minimum $\frac{5}{8}$ " (16) thick panel is required, but the thickness can be increased provided it does not exceed the weight limit. The depth of each integrated model is 24" (610). Allow for panel thickness when planning the finished opening depth. Refer to the full-scale template on page 55.

CAUTION
As reveals between cabinetry and the unit decrease, severe finger pinching can occur while door is closing.

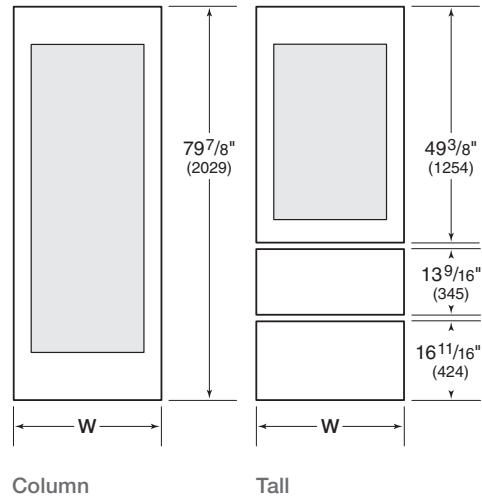
Finish all sides of custom panels. They will be visible when the door/drawer is open.

D-style handles are recommended. Door handles must be located near the edge of the panel opposite the hinge and should be centered top to bottom. Drawer handles must be located near the top edge of each panel. Stainless steel tubular and pro handles are available through an authorized Sub-Zero dealer. For local dealer information, visit the find a showroom section of our website, subzero.com.

PANEL REQUIREMENTS

WEIGHT PER PANEL	MAX
Door Frame (column)	35 lb (16 kg)
Door Frame (tall)	25 lb (11 kg)
Drawer Panel (tall)	15 lb (7 kg)
PANEL THICKNESS	MIN
All Panels	$\frac{5}{8}$ " (16)

TYPICAL PANEL DIMENSIONS



Typical panel dimensions are based on an 84" (2134) finished height, 4" (102) toe kick and $\frac{1}{8}$ " (3) reveals. Panel dimensions must be adjusted accordingly for all other installations. Refer to the illustration for panel height and the chart below for panel width.

PANEL WIDTH

MODEL	W
18" Model	17 $\frac{3}{4}$ " (451)
24" Model	23 $\frac{3}{4}$ " (603)
30" Model	29 $\frac{3}{4}$ " (756)

STILES | RAILS

	MIN
Stiles	3 $\frac{1}{4}$ " (83)
Top Rail	7 $\frac{3}{4}$ " (197)
Bottom Rail (column)	9 $\frac{1}{2}$ " (241)
Bottom Rail (tall)	4 $\frac{1}{2}$ " (114)

DUAL INSTALLATION

For dual installations, refer to the illustration for panel height and the chart below for panel width.

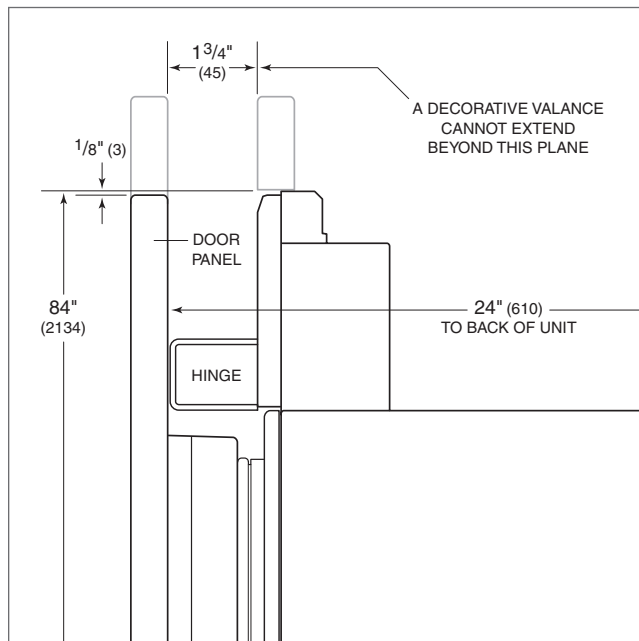
PANEL WIDTH

MODEL	W
18" Model	17 $\frac{13}{16}$ " (452)
24" Model	23 $\frac{13}{16}$ " (605)
30" Model	29 $\frac{13}{16}$ " (757)

Custom Panel—Integrated

DOOR PANEL HEIGHT

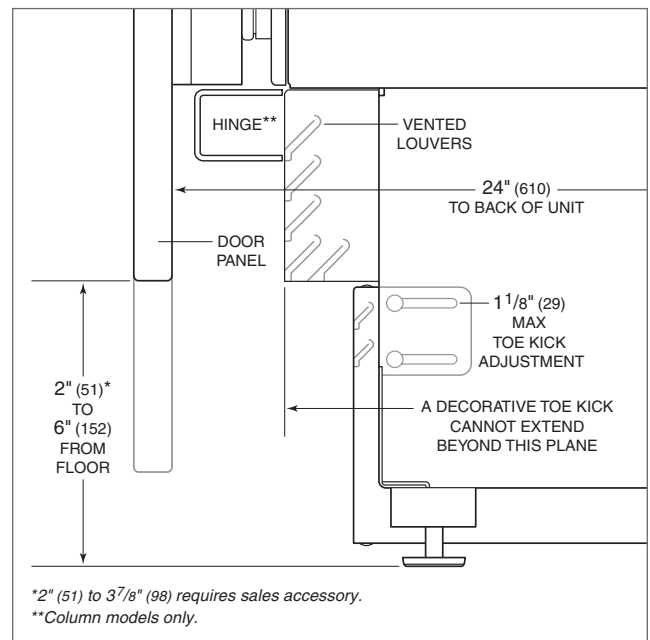
The height of the custom door panel can extend beyond the typical panel height, provided it does not exceed the weight limit. Refer to the illustration below.



Upper valance (side view).

TOE KICK CLEARANCE

The height of the toe kick area can extend beyond the typical toe kick height, provided it does not exceed the dimensions in the illustration below. Toe kick heights from 2" (51) to 3⁷/₈" (98) require a reduced toe kick accessory available through an authorized Sub-Zero dealer. For local dealer information, visit the find a showroom section of our website, subzero.com. For questions regarding the installation, call Sub-Zero customer care at 800-222-7820.



Toe kick (side view).

Custom Panel—WS-30

FRAMED

The framed application is an overlay model with framed design features. It is not a separate model.

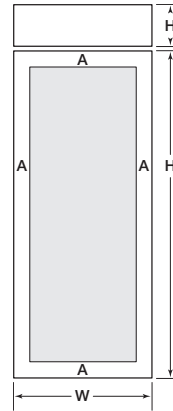
If the custom panel is thinner than 1/4" (6), a filler material must be added to achieve a proper fit. If the panel is thicker than 1/4" (6), rout an edge around the panel or mount the custom panel on a sheet of 1/4" (6) thick material and insert into the channel.

Routing, recessing and optional extended handles may be required for finger clearance. Refer to the full-scale template on page 80.

PANEL REQUIREMENTS

WEIGHT PER PANEL	MAX
Door	75 lb (34 kg)
Grille (optional)	13 lb (6 kg)
PANEL THICKNESS	MIN
Framed	1/4" (6)

FRAMED PANEL DIMENSIONS



WS-30

PANEL DIMENSIONS

FRAMED PANEL	W	H
Door	29 ³ / ₄ " (756)	69 ⁹ / ₁₆ " (1767)
Grille (optional)	29 ³ / ₄ " (756)	8 ¹⁵ / ₁₆ " (227)
STILES RAILS	A	
Minimum	3 ³ / ₁₆ " (81)	

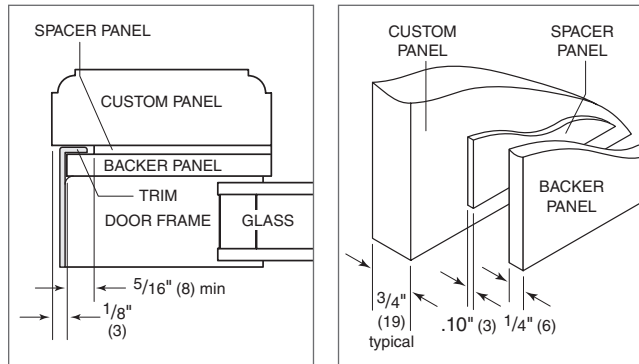
Custom Panel—WS-30

OVERLAY

Overlay panels are typically created by combining a 3/4" (19) custom panel, a .10" (3) spacer panel and a 1/4" (6) backer panel. Refer to the illustrations below.

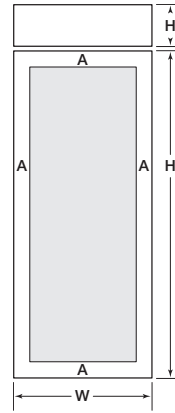
PANEL REQUIREMENTS

WEIGHT PER PANEL		MAX
Door		75 lb (34 kg)
Grille		13 lb (6 kg)
PANEL THICKNESS		MIN
Overlay		5/8" (16)



Panel assembly (cross section). Panel assembly (rear view).

OVERLAY PANEL DIMENSIONS



WS-30

OVERLAY PANELS

	W	H
DOOR		
Overlay Panel	30" (762)	69 ³ / ₄ " (1772)
Spacer Panel	29 ¹ / ₈ " (740)	68 ¹⁵ / ₁₆ " (1751)
Backer Panel	29 ³ / ₄ " (756)	69 ⁹ / ₁₆ " (1767)
GRILLE		
Overlay Panel	30" (762)	9 ¹ / ₄ " (235)*
Spacer Panel	29 ¹ / ₈ " (740)	8 ⁵ / ₁₆ " (211)
Backer Panel	29 ³ / ₄ " (756)	8 ¹⁵ / ₁₆ " (227)

STILES | RAILS

	A
Minimum	3 ¹ / ₄ " (83)

*Panel height may be increased by 7/16" (11) to hide upper main frame. Also refer to built-in panel configurator at subzero.com/trade/panels.

Grille panel dimensions are for standard 84" (2134) overall unit height. For 83" (2108) height, subtract 1" (25) from grille panel height dimensions and for 88" (2235) height, add 4" (102). A specific panel grille must be ordered for an 83" or 88" overall unit height.

Custom Panel—WS-30

FLUSH INSET

The flush inset application is an overlay model with flush inset panels. It is not a separate model.

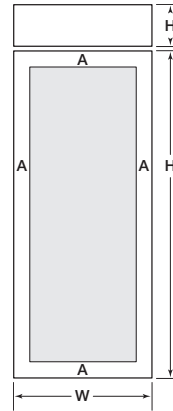
The flush inset design allows custom panels to be installed flush with adjacent cabinets. Similar to overlay, flush inset panels are typically created by combining a 3/4" (19) custom panel, a .10" (3) spacer panel and a 1/4" (6) backer panel. Refer to the illustrations for overlay panels on the previous page.

For flush inset panels thicker than 3/4" (19), a 90° door stop may be required to prevent interference with adjacent cabinets. Refer to the full-scale template on page 83.

PANEL REQUIREMENTS

WEIGHT PER PANEL	MAX
Door	75 lb (34 kg)
Grille	13 lb (6 kg)
PANEL THICKNESS	MIN
Flush Inset	5/8" (16)

FLUSH INSET PANEL DIMENSIONS



WS-30

FLUSH INSET PANELS

DOOR	W	H
Flush Inset Panel	31" (787)	69 ³ / ₄ " (1772)
Spacer Panel	29 ¹ / ₈ " (740)	68 ¹⁵ / ₁₆ " (1751)
Backer Panel	29 ³ / ₄ " (756)	69 ⁹ / ₁₆ " (1767)
GRILLE	W	H
Flush Inset Panel	31" (787)	9 ¹ / ₄ " (235)
Spacer Panel	29 ¹ / ₈ " (740)	8 ⁵ / ₁₆ " (211)
Backer Panel	29 ³ / ₄ " (756)	8 ¹⁵ / ₁₆ " (227)
STILES RAILS		A
Minimum		3 ³ / ₄ " (95)

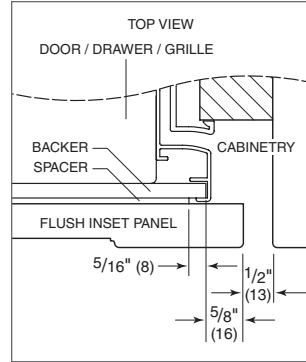
Grille panel dimensions are for standard 84" (2134) overall unit height. For 83" (2108) height, subtract 1" (25) from grille panel height dimensions and for 88" (2235) height, add 4" (102). A specific panel grille must be ordered for an 83" or 88" overall unit height.

Custom Panel—WS-30

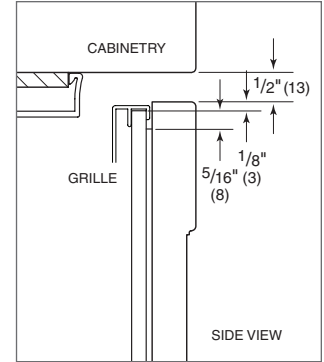
FLUSH INSET PANEL OFFSET

The illustrations provide panel offsets and reveals for model WS-30 in a flush inset application. Refer to the chart below for reference to the illustrations.

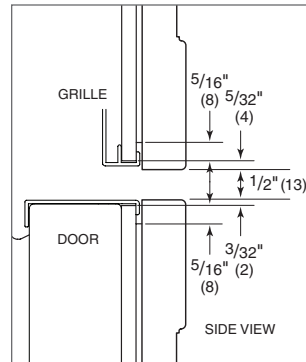
PANEL OFFSET	ILLUS
Door Grille Sides	A
Grille Top	B
Grille Bottom Door Top	C
Door Bottom	D



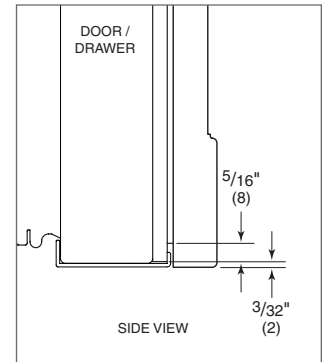
Illus. A



Illus. B



Illus. C



Illus. D

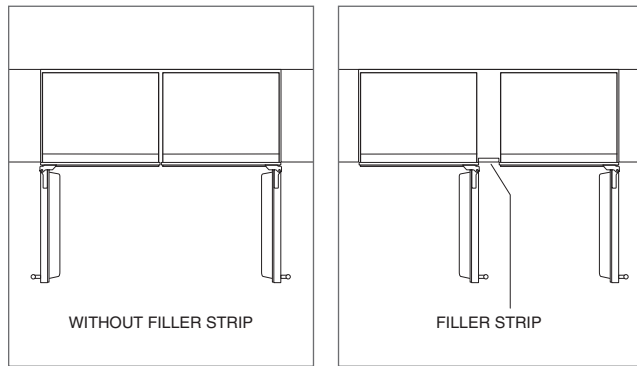
Custom Panel—WS-30

DUAL INSTALLATIONS

If two models WS-30 or a model WS-30 and built-in unit are installed side by side, a dual installation kit may be required. Installations without a custom filler strip require a dual installation kit. If a dual installation kit is not specified, a 2" (51) filler strip is recommended between units. Dual installations without a filler strip can only be accomplished using two units with opposite hinges. Refer to the illustrations below.

Dual installation kits are available through an authorized Sub-Zero dealer. For local dealer information, visit the find a showroom section of our website, subzero.com. For questions regarding the installation, call Sub-Zero customer care at 800-222-7820.

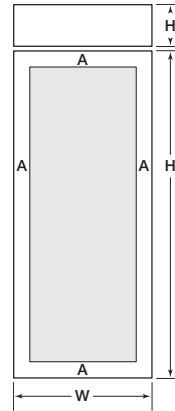
For dual standard installations, panel dimensions are the same as for single installations. Refer to the chart on page 72. Panel dimensions and offsets for dual flush inset installations are listed on the following pages.



Opposite hinges.

Same side hinges.

DUAL FLUSH INSET PANEL DIMENSIONS



WS-30

DUAL FLUSH INSET PANELS

DOOR	W	H
Flush Inset Panel	30 ¹ / ₂ " (775)	69 ³ / ₄ " (1772)
Spacer Panel	29 ¹ / ₈ " (740)	68 ¹⁵ / ₁₆ " (1751)
Backer Panel	29 ³ / ₄ " (756)	69 ⁹ / ₁₆ " (1767)
GRILLE	W	H
Flush Inset Panel	30 ¹ / ₂ " (775)	9 ¹ / ₄ " (235)
Spacer Panel	29 ¹ / ₈ " (740)	8 ⁵ / ₁₆ " (211)
Backer Panel	29 ³ / ₄ " (756)	8 ¹⁵ / ₁₆ " (227)
STILES RAILS	A	
Minimum	3 ³ / ₄ " (95)	

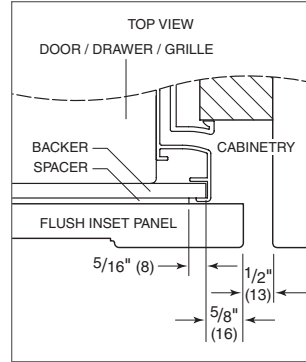
Grille panel dimensions are for standard 84" (2134) overall unit height. For 83" (2108) height, subtract 1" (25) from grille panel height dimensions and for 88" (2235) height, add 4" (102). A specific panel grille must be ordered for an 83" or 88" overall unit height.

Custom Panel—WS-30

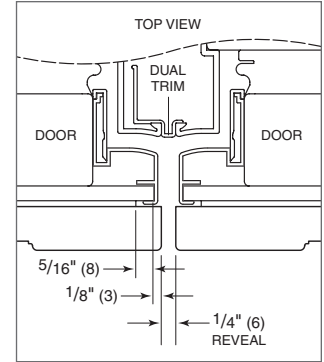
DUAL FLUSH INSET PANEL OFFSET

The illustrations provide panel offsets and reveals for model WS-30 in a dual flush inset application. Refer to the chart below for reference to the illustrations.

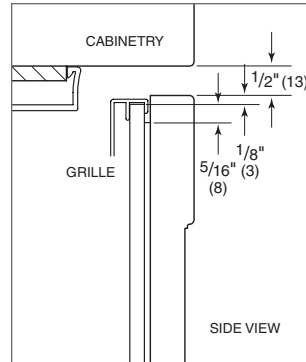
PANEL OFFSET	ILLUS
Door (hinge) Grille Sides	A
Door (handle) Sides	B
Grille Top	C
Grille Bottom Door Top	D
Door Bottom	E



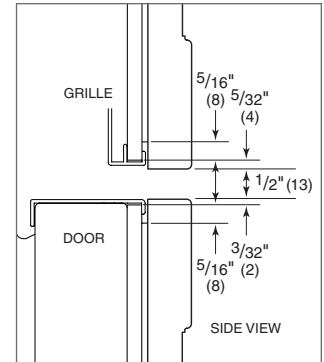
Illus. A



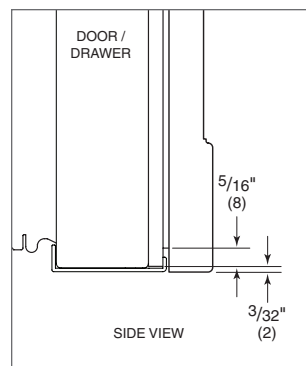
Illus. B



Illus. C



Illus. D



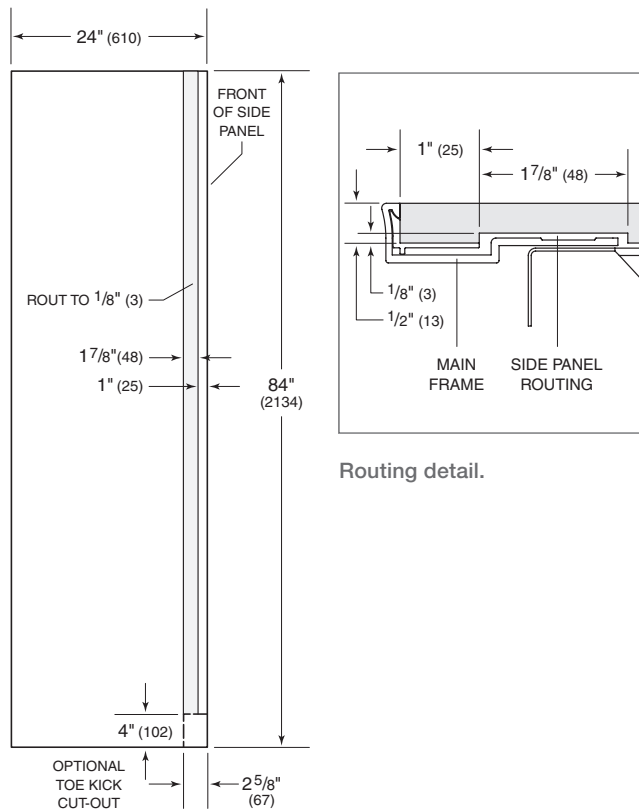
Illus. E

Custom Panel—WS-30

SIDE PANEL

The custom side panel must be a minimum of 24" (610) deep and 1/2" (13) thick. Routing will be necessary for the side panel to fit flush against the side of the unit. Refer to the illustrations below.

When installing model WS-30 with a custom side panel, an accessory kit is required. Stainless steel and white enamel side panels are available through an authorized Sub-Zero dealer. For local dealer information, visit the find a showroom section of our website, subzero.com.



Side panel dimensions.

Standard Handles

Optional stainless steel tubular and pro handles are available through an authorized Sub-Zero dealer. For local dealer information, visit the find a showroom section of our website, subzero.com.

Refer to the chart below for standard handle lengths for wine storage models.

HANDLE LENGTH	TUBULAR	PRO
424G, UW-24 Door	24 1/4" (616)	22 1/4" (572)
IW-18, IW-24, IW-30 Door	50 1/8" (1273)	48 3/8" (1229)
IW-30R Door	33 1/4" (845)	31 1/2" (800)
IW-30R Drawer	24 1/4" (616)	22 1/2" (572)
WS-30 Door	63 7/8" (1622)	45 3/16" (1147)

Wine Rack Wood Facing

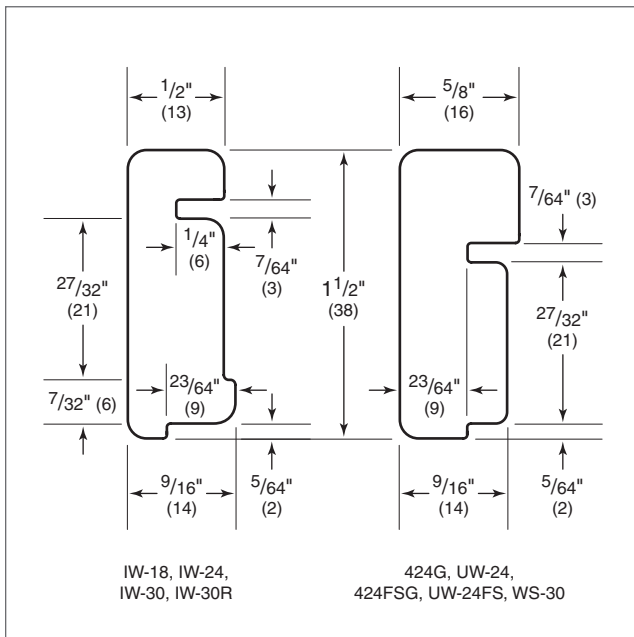
FULL-SCALE TEMPLATE

The natural cherrywood facing on wine storage racks can be stained and sealed, or replaced with wood more complementary to surrounding cabinetry. Refer to the full-scale template below for profile dimensions of the wood facing and the chart for width.

WOOD FACING WIDTH

W

424G, UW-24	19 ¹ / ₂ " (495)
424FSG, UW-24FS	19 ¹ / ₂ " (495)
IW-18	11 ⁵ / ₈ " (295)
IW-24	17 ⁵ / ₈ " (448)
IW-30, IW-30R	23 ⁵ / ₈ " (600)
WS-30	24 ⁹ / ₁₆ " (624)

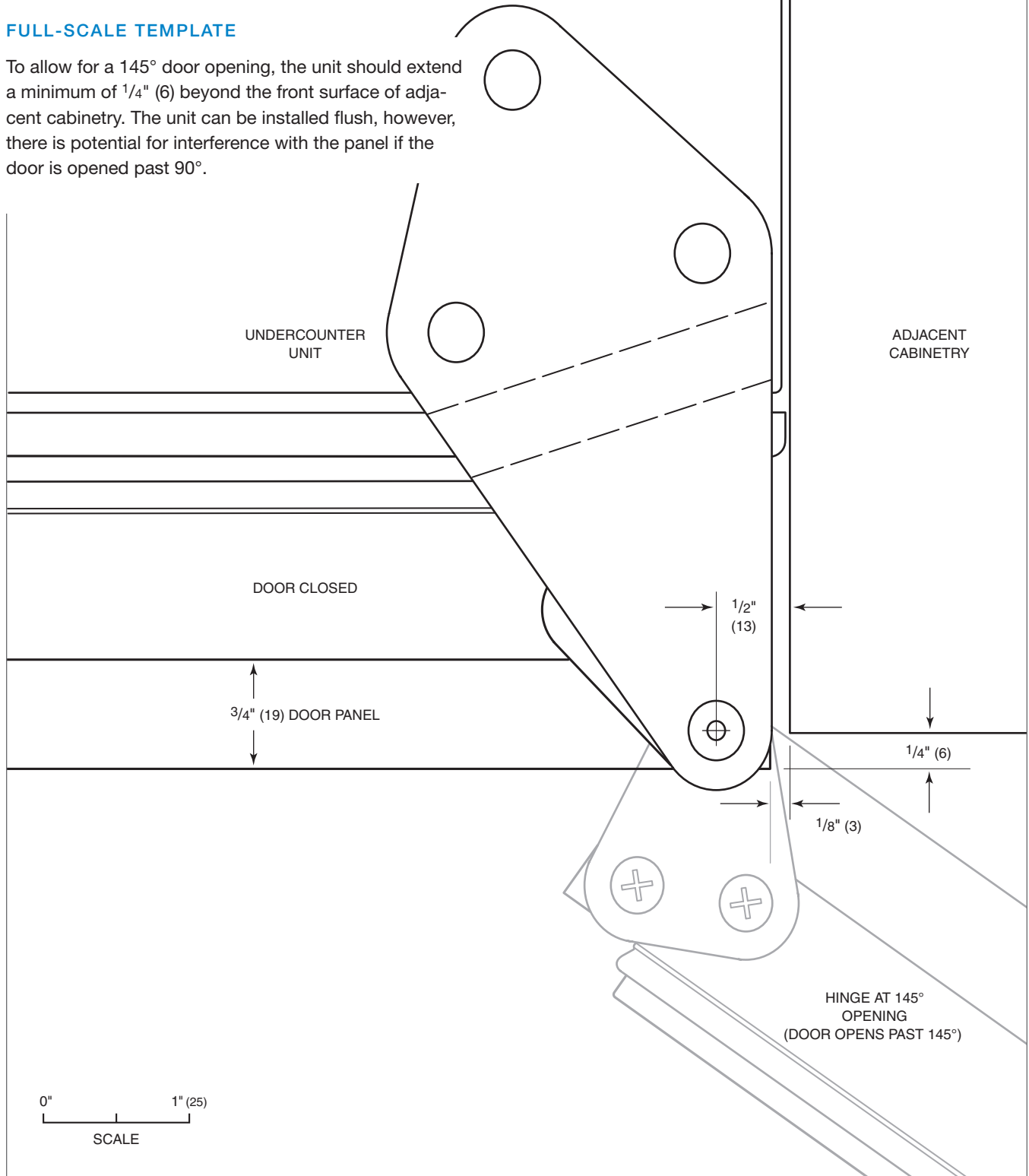


Wine rack wood facing profile.

Door Clearance—424G | UW-24

FULL-SCALE TEMPLATE

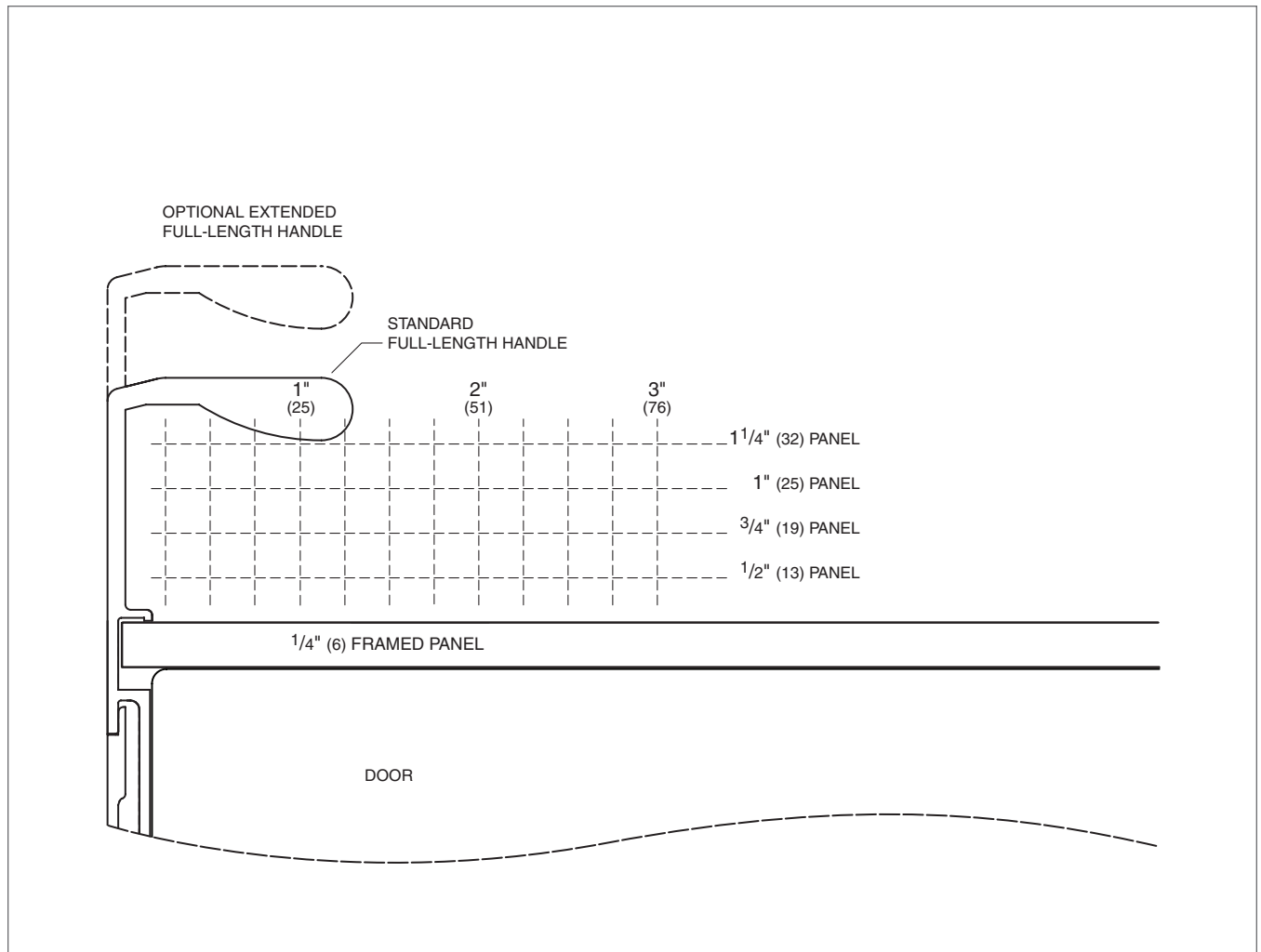
To allow for a 145° door opening, the unit should extend a minimum of 1/4" (6) beyond the front surface of adjacent cabinetry. The unit can be installed flush, however, there is potential for interference with the panel if the door is opened past 90°.



145° door opening (top view).

Framed Panel—WS-30

FULL-SCALE TEMPLATE

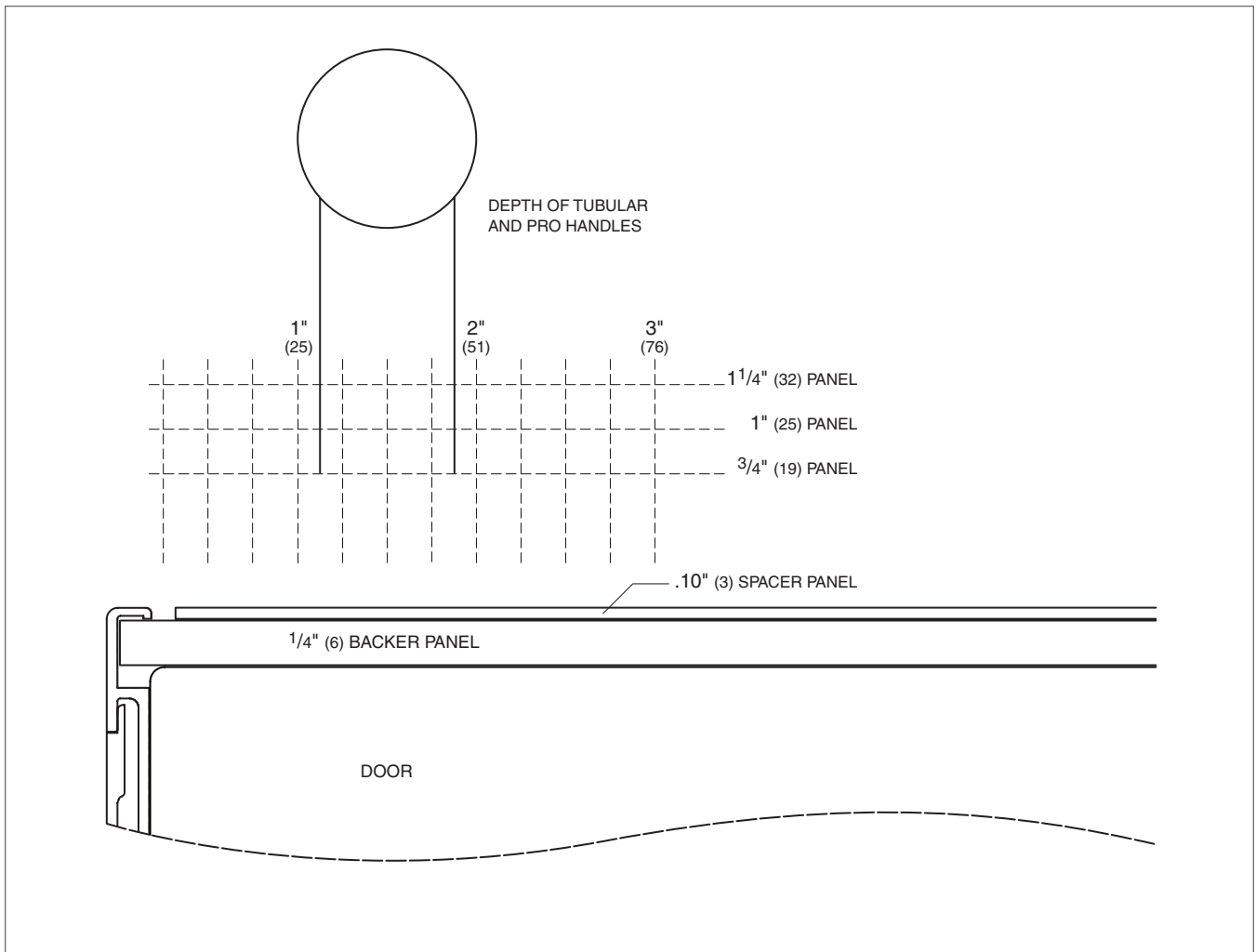


Framed panel thickness.

Overlay | Flush Inset Panels—WS-30

FULL-SCALE TEMPLATE

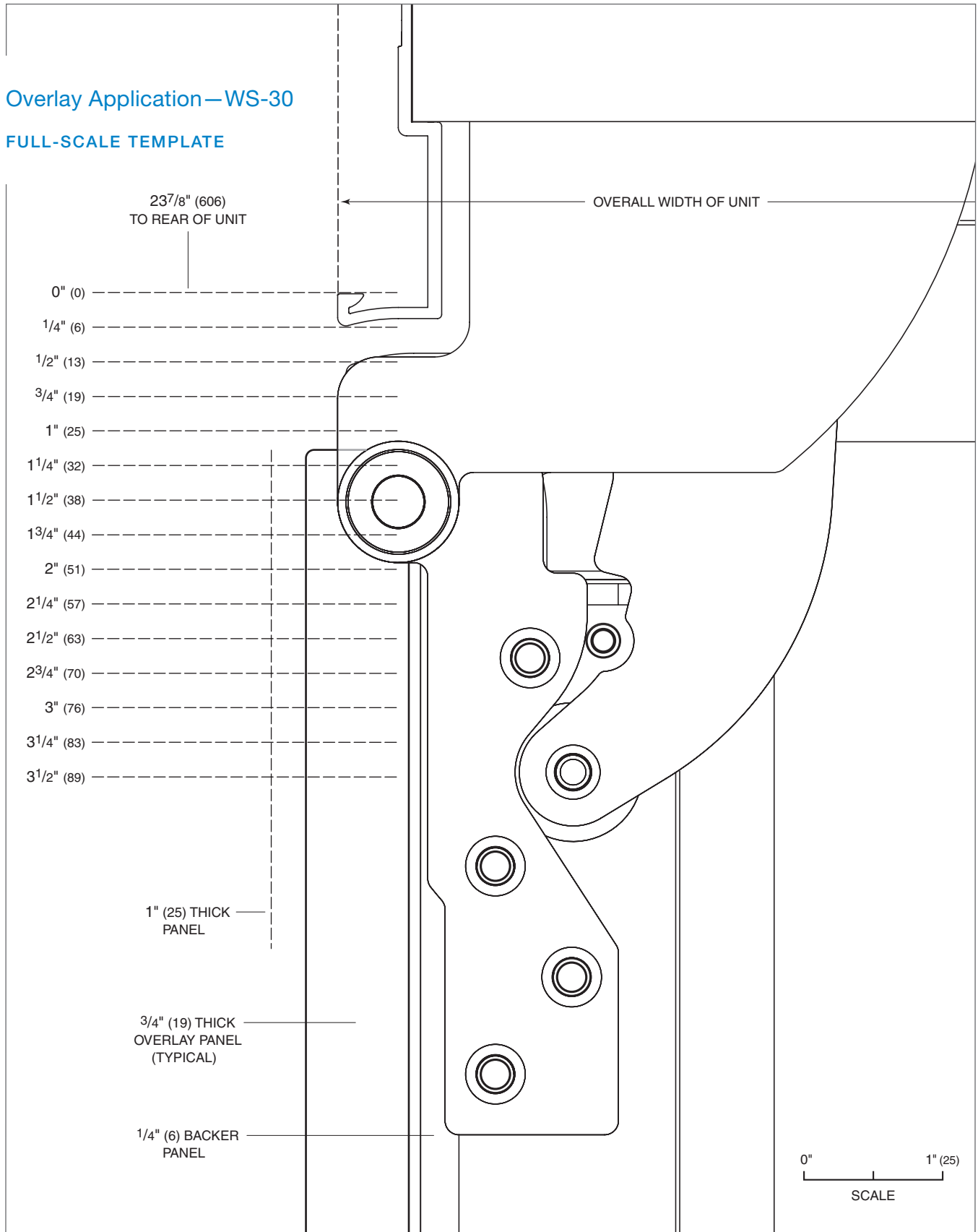
Overlay and flush inset panels must be a minimum of 5/8" (16) thick to support mounting the handle. Panel thickness does not include backer and spacer panel. Mount handle close to the opening edge of the door.



Overlay and flush inset panel thickness.

Overlay Application—WS-30

FULL-SCALE TEMPLATE

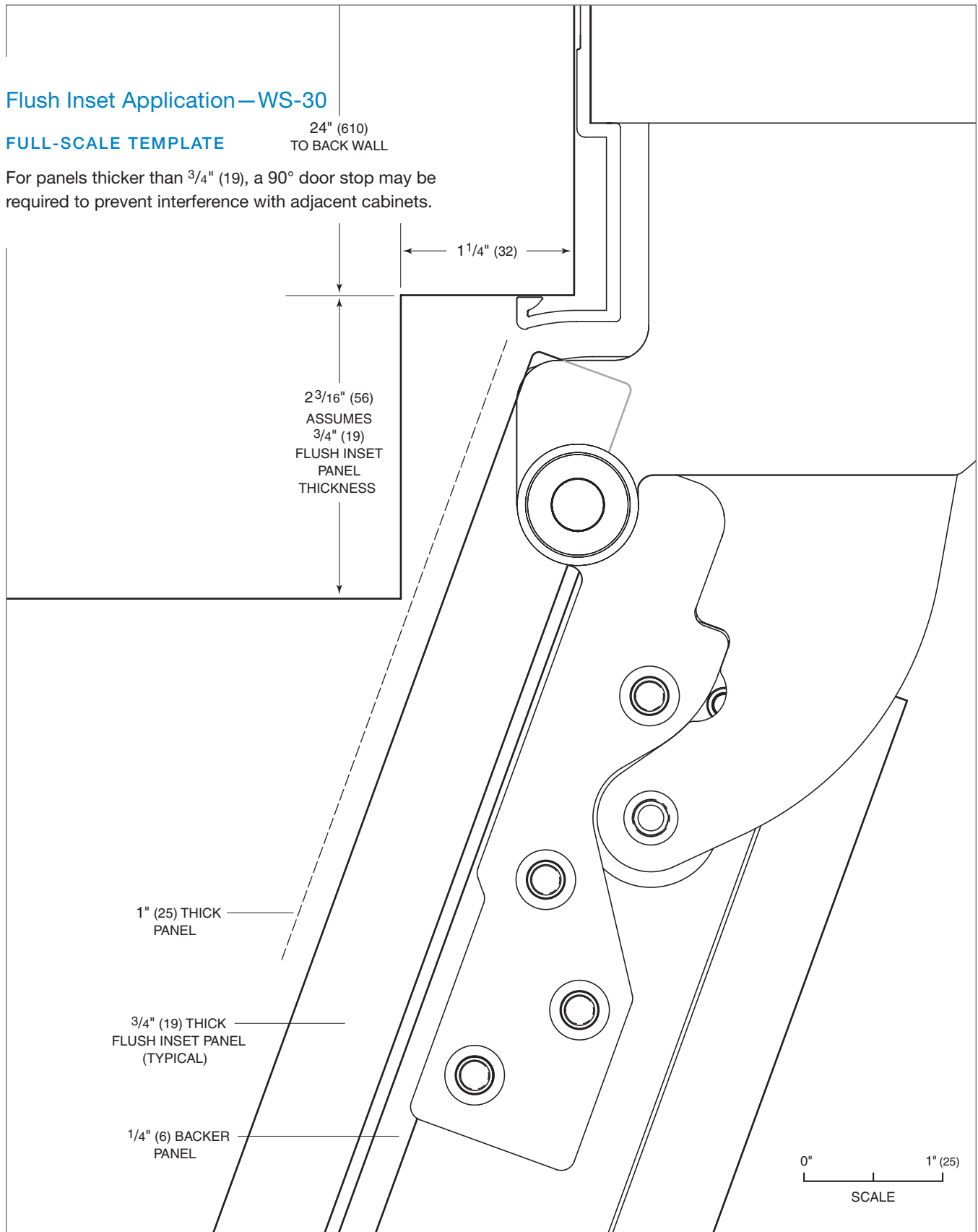


90° door opening (top view).

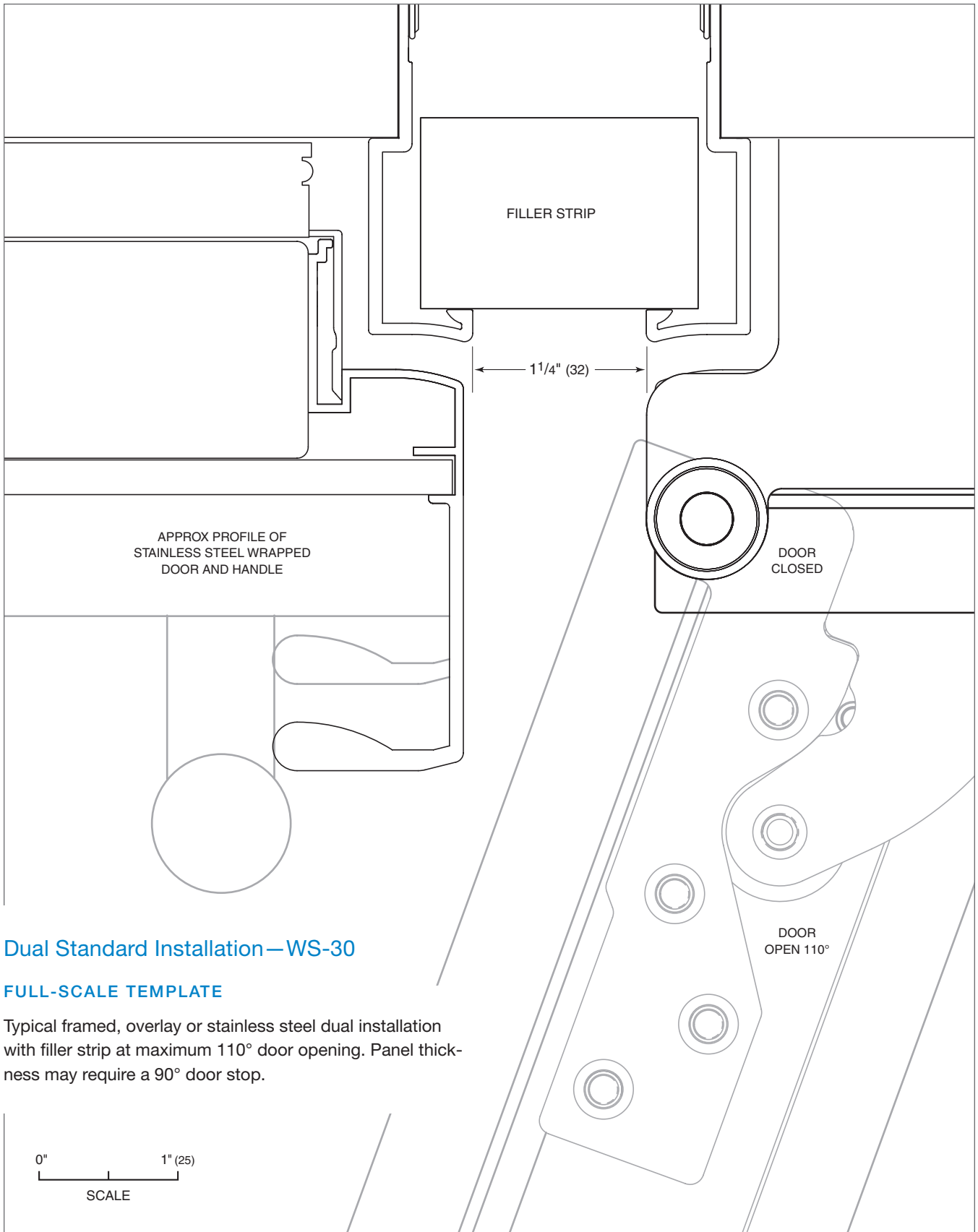
Flush Inset Application—WS-30

FULL-SCALE TEMPLATE

For panels thicker than 3/4" (19), a 90° door stop may be required to prevent interference with adjacent cabinets.



110° door opening (top view).



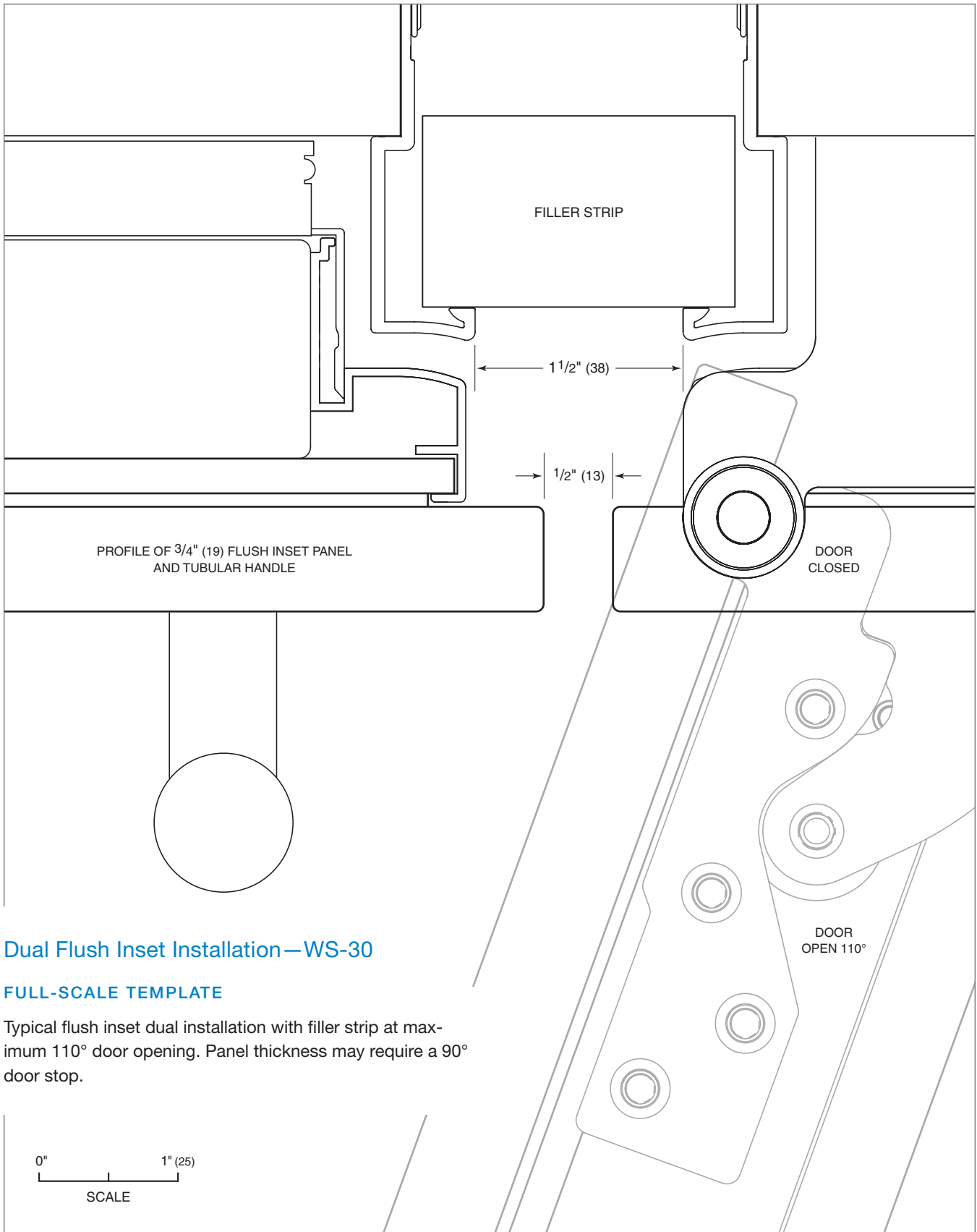
Dual Standard Installation—WS-30

FULL-SCALE TEMPLATE

Typical framed, overlay or stainless steel dual installation with filler strip at maximum 110° door opening. Panel thickness may require a 90° door stop.



Dual standard installation (top view).



Dual Flush Inset Installation—WS-30

FULL-SCALE TEMPLATE

Typical flush inset dual installation with filler strip at maximum 110° door opening. Panel thickness may require a 90° door stop.



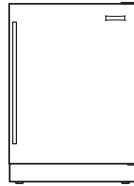
Dual flush inset installation (top view).



Undercounter Refrigeration

Sub-Zero undercounter refrigeration is a helpful addition to a master suite, bar, home office or media room. In the kitchen, a high-volume ice machine is a must for entertaining. The design flexibility of these compact yet roomy units makes them all the more welcome in any room or outdoor kitchen. They are ready to be fitted with a custom cabinet panel or can be ordered with a stainless steel panel.

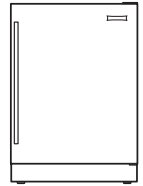
UNDERCOUNTER MODELS



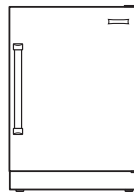
UC-24R



UC-24BG



UC-24C(I)

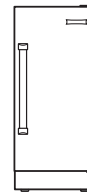


UC-24RO

ICE MACHINE MODELS



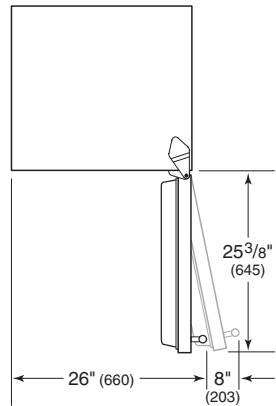
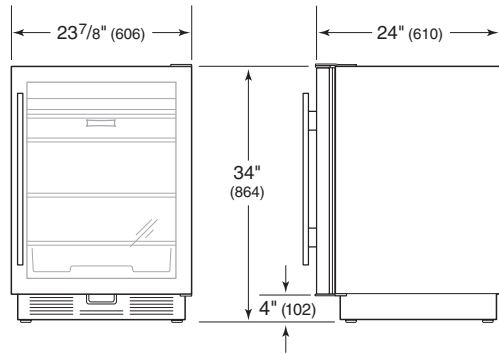
UC-15I(P)



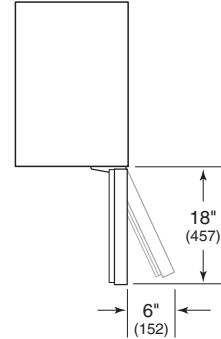
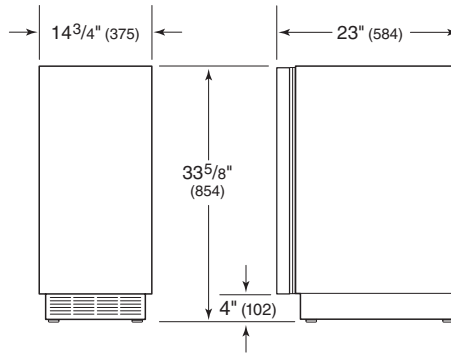
UC-15I(P)O

Overall Dimensions

UNDERCOUNTER



ICE MACHINE



SPECIFICATIONS

INTERIOR CAPACITY—CU FT (L)	REFR	FRZR
UC-24R, UC-24RO	5.7 (161)	
UC-24BG	6.0 (170)	
UC-24C(I)	3.6 (102)	1.1 (31)
SHIPPING WEIGHT	LB (KG)	
24" Model	130 (59)	

Refer to page 93 for door clearance information.

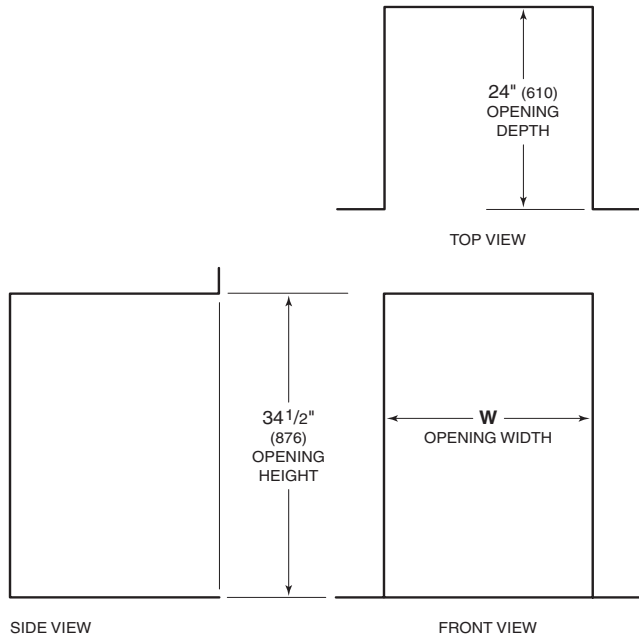
SPECIFICATIONS

STORAGE CAPACITY	LB (KG)
UC-15I(P), UC-15I(P)O	26 (12)
SHIPPING WEIGHT	LB (KG)
Ice Machine	100 (45)

Model UC-15I overall dimensions do not include panel or handle.

Opening Dimensions

UNDERCOUNTER



OPENING WIDTH W

24" Model	24" (610)
Ice Machine	15 1/4" (387)

DUAL OPENING WIDTH W

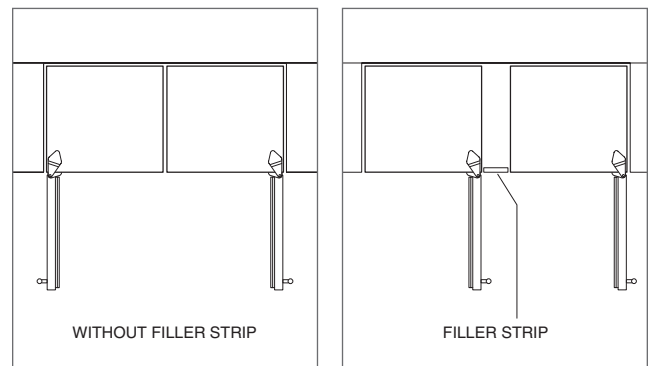
Two 24" Models	48 1/8" (1222)
----------------	----------------

Dual installation kit required.

DUAL INSTALLATION

If two units are installed side by side, a dual installation kit may be required. Installations without a custom filler strip require a dual installation kit. If a dual installation kit is not specified, a 2" (51) filler strip is recommended between units. Dual installations without a filler strip can only be accomplished using two units with opposite hinges. Refer to the illustrations below.

Dual installation kits are available through an authorized Sub-Zero dealer. For local dealer information, visit the find a showroom section of our website, subzero.com. For questions regarding the installation, call Sub-Zero customer care at 800-222-7820.



Opposite hinges.

Same side hinges.

Electrical

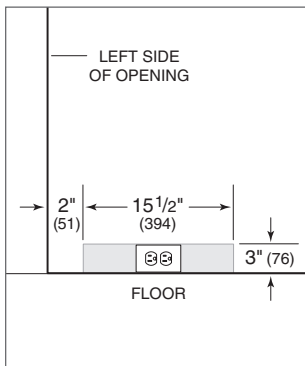
The electrical supply should be located within the shaded area shown in the illustration. For ice machine models, it is recommended that electrical supply be placed in an adjacent cabinet. A separate circuit, servicing only this appliance is required.

IMPORTANT NOTE: For outdoor models UC-24RO and UC-15I(P)O, a ground fault circuit interrupter (GFCI) is required to reduce the risk of electrical shock. A GFCI is not recommended for use with other undercounter models and may cause interruption of operation.

Installation must comply with all applicable electrical codes.

ELECTRICAL REQUIREMENTS

Electrical Supply	115 VAC, 60 Hz
Service	15 amp
Receptacle	3-prong grounding-type



Electrical supply location.

Plumbing

The water supply line should be located within the shaded area shown in the illustrations below. The water supply line should be connected to the house supply with an easily accessible shut-off valve between the supply and the unit. Do not use self-piercing valves. A saddle valve kit is available through an authorized Sub-Zero dealer. For local dealer information, visit the find a showroom section of our website, subzero.com.

IMPORTANT NOTE: A reverse osmosis system can be used provided there is constant water pressure as indicated in the chart below at all times. A copper line is not recommended for this application.

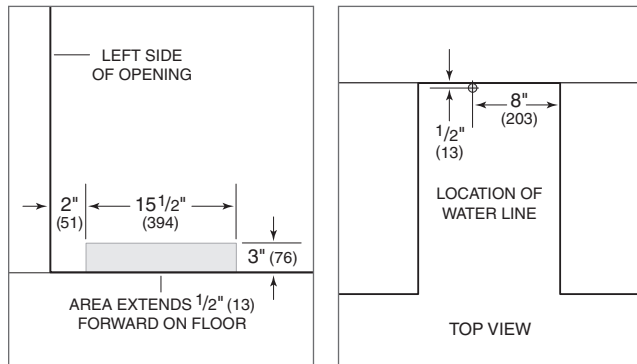
PLUMBING REQUIREMENTS

Water Supply	1/4" OD copper, braided stainless steel or PEX tubing
Pressure (UC-24CI)	20–100 psi (1.4–6.9 bar)
Pressure (UC-15I)	20–80 psi (1.4–5.5 bar)
Excess Line for Connection	36" (914)

ICE MACHINE DRAIN

Ice machine models can be ordered with or without a drain pump. Models without a pump will drain water by gravity. A drain must be installed.

The drain and inlet water tubes must be plumbed before connecting to the ice machine. For the gravity drain, horizontal drain lines must have a 1/4" (6) per 12" (305) fall. An air gap will likely be required between the unit and drain. A stand pipe with a trap below is acceptable for the drain.



Model UC-24CI.

Ice machine.

Custom Panel

For overlay undercounter models, custom door panels and handle hardware must be provided. Refer to the charts for panel requirements and dimensions.

Finish all sides of the custom panels. They may be visible when the door is open or through the window of glass door models.

PANEL REQUIREMENTS

WEIGHT PER PANEL	MAX
UC-24R, UC-24C(I)	20 lb (9 kg)
UC-24BG	10 lb (5 kg)
UC-15I(P)	15 lb (7 kg)
PANEL THICKNESS	MIN
All Panels	5/8" (16)

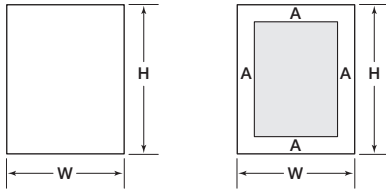
MODEL UC-24BG

For model UC-24BG, the custom door panel will attach directly to the door frame with screws through a series of pre-drilled holes. Refer to the illustration below.

Do not install a solid panel on a glass door unit. A solid door is available as a sales accessory and must be installed if a solid panel is being specified. Service may be required to install the door. Contact an authorized Sub-Zero dealer for more information. Overall dimensions are the same for glass and solid door panels.

Custom Panel

OVERLAY PANEL DIMENSIONS



UC-24R, UC-24C(I), UC-15I(P) UC-24BG

PANEL DIMENSIONS

MODEL	W	H
24" Model	23 ³ / ₄ " (603)	30 ¹ / ₁₆ " (764)
Ice Machine	15" (381)	30 ³ / ₈ " (772)

STILES | RAILS

	A
UC-24BG	2 ¹ / ₄ " (57) min

DOOR CLEARANCE

Undercounter models can be installed flush with surrounding cabinetry. Depending on the thickness of the custom door panel, it may be necessary to install the unit 1/4" (6) beyond the front surface of adjacent cabinetry to prevent interference when the door is opened to 145°. Refer to the full-scale template on page 95.

Standard Handles

Optional stainless steel tubular and pro handles are available through an authorized Sub-Zero dealer. For local dealer information, visit the find a showroom section of our website, subzero.com.

Refer to the chart below for standard handle lengths for undercounter models.

HANDLE LENGTH	TUBULAR	PRO
Undercounter	24 ¹ / ₄ " (616)	22 ¹ / ₂ " (572)
Outdoor Model	NA	15 ¹¹ / ₁₆ " (399)

Wine Rack Wood Facing

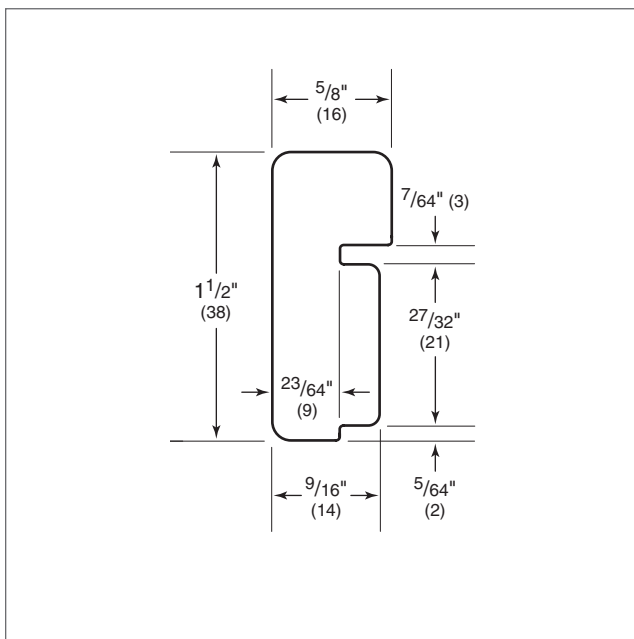
FULL-SCALE TEMPLATE

The natural cherrywood facing on wine storage racks can be stained and sealed, or replaced with wood more complementary to surrounding cabinetry. Refer to the full-scale template below for profile dimensions of the wood facing and the chart for widths.

WOOD FACING WIDTH

W

UC-24BG	19 ¹ / ₂ " (495)
UC-24C(l)	19 ¹ / ₂ " (495)



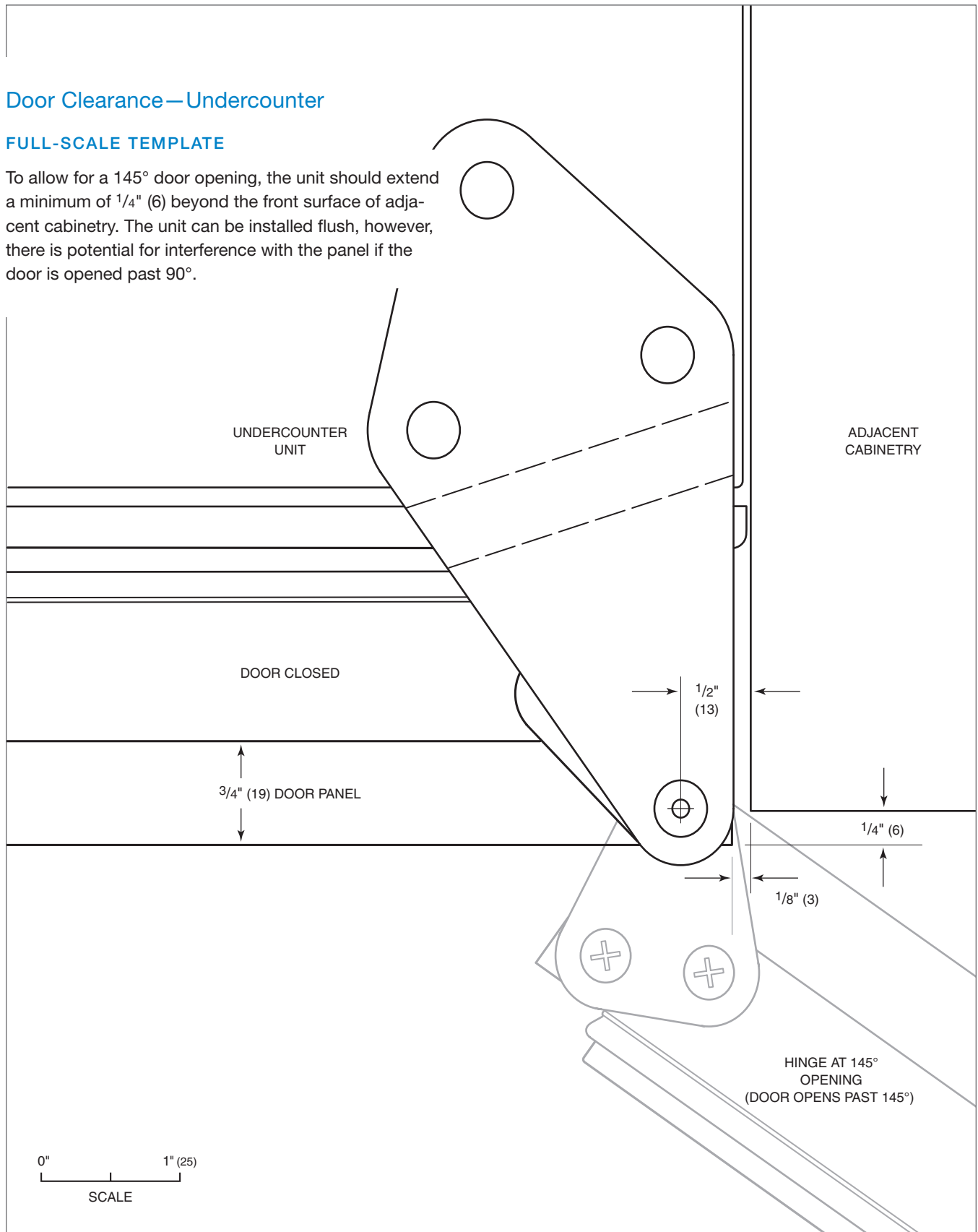
Wine rack wood facing profile.

Sub-Zero, Sub-Zero & Design, Dual Refrigeration, The Living Kitchen, Great American Kitchens The Fine Art of Kitchen Design, and Ingredients are registered trademarks and service marks of Sub-Zero, Inc. Wolf, Wolf & Design, Wolf Gourmet, W & Design and the color red as applied to knobs are registered trademarks and service marks of Wolf Appliance, Inc. All other trademarks or registered trademarks are property of their respective owners in the United States and other countries.

Door Clearance—Undercounter

FULL-SCALE TEMPLATE

To allow for a 145° door opening, the unit should extend a minimum of 1/4" (6) beyond the front surface of adjacent cabinetry. The unit can be installed flush, however, there is potential for interference with the panel if the door is opened past 90°.



145° door opening (top view).

Sub-Zero Residential Limited Warranty

FOR RESIDENTIAL USE

FULL TWO YEAR WARRANTY*

For two years from the date of original installation, this Sub-Zero product warranty covers all parts and labor to repair or replace, under normal residential use, any part of the product that proves to be defective in materials or workmanship. All service provided by Sub-Zero under the above warranty must be performed by Sub-Zero factory certified service, unless otherwise specified by Sub-Zero, Inc. Service will be provided during normal business hours.

FULL FIVE YEAR SEALED SYSTEM WARRANTY

For five years from the date of original installation, this Sub-Zero product warranty covers all parts and labor to repair or replace, under normal residential use, these parts that prove to be defective in materials or workmanship: compressor, condenser, evaporator, drier and all connecting tubing. All service provided by Sub-Zero under the above warranty must be performed by Sub-Zero factory certified service, unless otherwise specified by Sub-Zero, Inc. Service will be provided during normal business hours.

LIMITED TWELVE YEAR SEALED SYSTEM WARRANTY

For twelve years from the date of original installation, Sub-Zero will repair or replace the following parts that prove to be defective in materials or workmanship: compressor, condenser, evaporator, drier and all connecting tubing. If the owner uses Sub-Zero factory certified service, the service provider will repair or replace these parts with the owner paying for all other costs, including labor. If the owner uses non-certified service, the owner must contact Sub-Zero, Inc. (using the information below) to receive repaired or replacement parts. Sub-Zero will not reimburse the owner for parts purchased from non-certified service or other sources.

TERMS APPLICABLE TO EACH WARRANTY

The warranty applies only to products installed for normal residential use. The warranty applies only to products installed in any one of the fifty states of the United States, the District of Columbia or the ten provinces of Canada. This warranty does not cover any parts or labor to correct any defect caused by negligence, accident or improper use, maintenance, installation, service or repair.

THE REMEDIES DESCRIBED ABOVE FOR EACH WARRANTY ARE THE ONLY ONES THAT SUB-ZERO, INC. WILL PROVIDE, EITHER UNDER THIS WARRANTY OR UNDER ANY WARRANTY ARISING BY OPERATION OF LAW. SUB-ZERO, INC. WILL NOT BE RESPONSIBLE FOR ANY CONSEQUENTIAL OR INCIDENTAL DAMAGES ARISING FROM THE BREACH OF THIS WARRANTY OR ANY OTHER WARRANTY, WHETHER EXPRESS, IMPLIED OR STATUTORY.

Some states do not allow the exclusion or limitation of incidental or consequential damages, so the above limitation or exclusion may not apply to you. This warranty gives you specific legal rights and you may also have other legal rights that vary from state to state.

To receive parts and/or service and the name of Sub-Zero factory certified service nearest you, contact Sub-Zero, Inc., P.O. Box 44848, Madison, WI 53744; check the contact & support section of our website, subzero.com, email us at customerservice@subzero.com or call 800-222-7820.

*Stainless steel (doors, panels, handles, product frames and interior surfaces) are covered by a limited 60-day parts and labor warranty for cosmetic defects.

*Replacement water filters and air purification cartridges are not covered by the product warranty.



Sub-Zero Outdoor Limited Warranty*

FOR RESIDENTIAL USE

FULL ONE YEAR WARRANTY**

For one year from the date of original installation, this Sub-Zero product warranty covers all parts and labor to repair or replace, under normal residential use, any part of the product that proves to be defective in materials or workmanship. All service provided by Sub-Zero under the above warranty must be performed by Sub-Zero factory certified service, unless otherwise specified by Sub-Zero, Inc. Service will be provided during normal business hours.

FULL FIVE YEAR SEALED SYSTEM WARRANTY

For five years from the date of original installation, this Sub-Zero product warranty covers all parts and labor to repair or replace, under normal residential use, these parts that prove to be defective in materials or workmanship: compressor, condenser, evaporator, drier and all connecting tubing. All service provided by Sub-Zero under the above warranty must be performed by Sub-Zero factory certified service, unless otherwise specified by Sub-Zero, Inc. Service will be provided during normal business hours.

TERMS APPLICABLE TO EACH WARRANTY

The warranty applies only to products installed for normal residential use. The warranty applies only to products installed in any one of the fifty states of the United States, the District of Columbia or the ten provinces of Canada. This warranty does not cover any parts or labor to correct any defect caused by negligence, accident or improper use, maintenance, installation, service or repair.

THE REMEDIES DESCRIBED ABOVE FOR EACH WARRANTY ARE THE ONLY ONES THAT SUB-ZERO, INC. WILL PROVIDE, EITHER UNDER THIS WARRANTY OR UNDER ANY WARRANTY ARISING BY OPERATION OF LAW. SUB-ZERO, INC. WILL NOT BE RESPONSIBLE FOR ANY CONSEQUENTIAL OR INCIDENTAL DAMAGES ARISING FROM THE BREACH OF THIS WARRANTY OR ANY OTHER WARRANTY, WHETHER EXPRESS, IMPLIED OR STATUTORY.

Some states do not allow the exclusion or limitation of incidental or consequential damages, so the above limitation or exclusion may not apply to you. This warranty gives you specific legal rights and you may also have other legal rights that vary from state to state.

To receive parts and/or service and the name of Sub-Zero factory certified service nearest you, contact Sub-Zero, Inc., P.O. Box 44848, Madison, WI 53744; check the contact & support section of our website, subzero.com, email us at customerservice@subzero.com or call 800-222-7820.

*Product must be approved for outdoor use, designated by model and serial number.

**Stainless steel (doors, panels, handles, product frames and interior surfaces) are covered by a limited 60-day parts and labor warranty for cosmetic defects.

**Replacement water filters are not covered by the product warranty.





SUBZERO.COM